

The logo for DONE, featuring the word "DONE" in a bold, teal, sans-serif font. The letter "D" is stylized with a white circular element inside its top curve. The logo is enclosed in a thin teal rounded rectangular border.

MAL SERIES LED DRIVER

DL-75H-MAL SPEC V1.0

Features

- Class I type for insulation
- Input voltage range: 100-277 V ~ 50/60 Hz
 Rated voltage:200-277 V ~ 50/60 Hz 75W max.
 Input voltage:100~150V ~ 50/60 Hz 37.5W max.
- Efficiency :89%(Typ.)
- Constant current output ,with power limitation for control mode
- Metal case, protection grade against water and dust: IP65
 differential mode :4kV,
 common mode :6kV
- available version :
 A version: Output current is dimmed by external potentiometer
 S version: Output current is dimmed by Isolated 3 in 1 dimmer
- guaranteed Lifetime : 5 years



Applications

street lighting、Industrial lighting、Venue lighting
 Floodlight lighting、Landscape lighting 、Plant lighting



Model list

Model NO.	Input voltage	Output power	Output voltage	The default current	Eff.	T.H.D	PF
DL-75H-58S-MAL	200-277V	75W	32-58Vdc	1.8A	≥89%	≤10%	≥0.95
DL-75H-58A-MAL	50/60Hz						

- Note :**
1. Test conditions: Ta=25°C , under 230Vac input,after running for 30 minutes with full load .
 2. When the input is less than 165+/-15Vac,the output power gradually decreases to a half.and it recovers full power of 75W when the input is above 180VAC again. Please refer to “THE OUTPUT POWER VS INPUT VOLTAGE” curve chart for details.

Input characteristics

Parameter	Min	Typ.	Max	remark
Rated input voltage	200Vac	-	277Vac	With full load.
Input voltage range	100Vac	-	305Vac	Output power decrease to a half when input below 165+/-15VAC.
Rated frequency range	47Hz	50/60Hz	63Hz	
Power factor	-	0.95	-	@230Vac input ,with full load
Power factor	0.9	-	-	@200-277Vac input ,with 75%-100%
T.H.D.	-	-	10%	@230Vac input ,with full load
T.H.D.	-	-	20%	@200-277Vac input ,with 75%-100%
Input current	-	-	0.45A	@200Vac input ,with full load
Inrush current	-	-	70A	230Vac, cold start (25℃)

Output characteristics

Parameter	Min	Typ.	Max	remark
Rated current DL-75H-58A/S-MAL	-	1.3A	-	With loading 58VDC
Output current range DL-75H-58A/S-MAL	0.9A	-	1.8A	
Output voltage range DL-75H-58A/S-MAL	32V	-	58V	Constant power output range:42-58VDC
Rated power	-	75W	-	Under rated input:200-277Vac
Available power	-	37.5W	-	Under available input:100-150Vac
No-load voltage DL-75H-58A/S-MAL	-	-	75V	
Efficiency@200Vac DL-75H-58A/S-MAL	88%	89%	-	Full load@58VDC
Efficiency@230Vac DL-75H-58A/S-MAL	88%	89%	-	Full load@58VDC
Accuracy of output current	-5%	-	+5%	For constant-power range , with full load
Line regulation	-3%	-	+3%	Full load
Load regulation	-3%	-	+3%	Full load
Starting time	-	-	500ms	Full load@230Vac

Note: 1.The output current is limited by the input and output voltage, please refer to "I-V WORKING AREA" for details;

2.when input voltage is between 150~180VAC ,the output power is undefined due to the tolerance of threshold.

Dimming characteristics

Dimming function		Min	Typ.	Max	Instructions
1-10V Dimming (Optional)	Safe operation voltage range	0V	-	12V	-
	Rated operation voltage range	1V	-	10V	-
	Dimming output range	10%	-	100%	Refer to note 2.
PWM Dimming (Optional)	PWM high level	9.5V	-	10.5V	-
	PWM low level	0V	-	0.3V	-
	Rated dimming frequency	300Hz	-	2000Hz	-
	PWM duty cycle	10%	-	99%	Output full power at 99% duty cycle
Resistor Dimming (Optional)	Rated external resistance value	10KΩ	-	100KΩ	Bigger resistor won't increase the output.
	Dimming output range	10%	-	100%	-

Note:

1. Output current of dimming port: 100uA (typical value)
2. dimmer default 1-10V. it can be dim-off according to customer's requirements, but can't meet the requirement of 0.5W standby power consumption.
3. The maximum voltage applied to the dimming port is suggested below 12V, but it also is protected against wrong voltage up to 230VAC or 300VDC. Please don't keep the wrong voltage apply to the port for a long time. Otherwise, it is possible to be damaged.
4. The floating voltage at the dimming port may be up to 13.5V, please notice it.

Protection

Protection	description
under-voltage protection	When the input voltage is less than 165+/-15Vac, the output power decreases.
Output over-voltage protection	hiccup mode, and recovers automatically when the fault condition is removed.
Output short circuit protection	Hiccup mode, and recovery automatically when the fault condition is removed.
Over temperature protection	when the temperature of the case is greater than 95+/-5°C, the output power decreases to a half.
Output over-power protection	The maximum output power is limited to about 1.1 time of the rating automatically. Only for P version

Note:

1. Unless otherwise specified, all parameters should be measured at the condition of 230Vac (50Hz) input, with rated load, and ambient temperature of 25°C;

Environmental characteristics

Environmental categories	Parameter
Working temperature	-40 ~ +55°C
Working humidity	20 ~ 95% RH
Storage temperature、 humidity	-40~+80°C, 10 ~ 95% RH
Resistant to vibration	10 ~ 500Hz, 5G 12 min/cycle, X, Y, Z axis 72 min each
MTBF	230Khrs min. MIL-HDBK-217F (Ta=25°C)
Lifetime	50000 hours @Tcase=75°C, refer to "Tcase VS Lifetime" curve

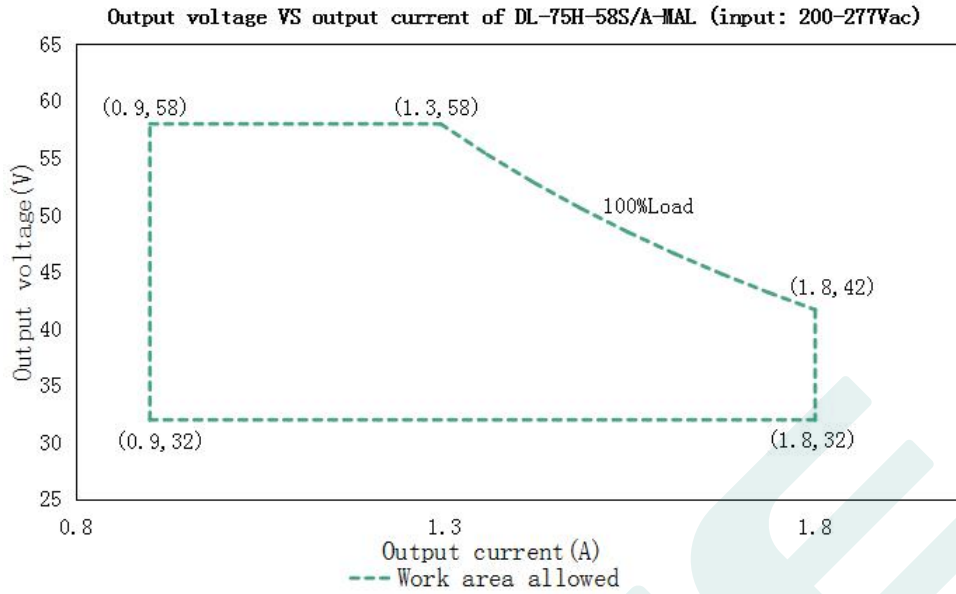
Safety and EMC

Safety categories	Standard
Safety	GB19510.1、GB19510.14、EN61347-1、EN61347-2-13、IEC61347-1、IEC61347-2-13、AS/NZS61347.1、AS61347.2.13、EN 62384;
EMC	EN 55015、EN 61547、EN 61000-3-2、GB/T 17743、GB17625.1、EN 61000-3-3
Surge level	Differential mode L-N ±4KV (2 ohm) ,common mode L, N-PE± 6KV (12 ohm); Refer to IEC61000-4-5 2014 Criterion B
High-pot test	I/P-O/P:3.75KVac I/P-PE :1.5KVac O/P-PE : 0.5KVac I/P-DIM:3.75KVac O/P-DIM:1.5KVac
Insulation impedance	I/P-PE:100MΩ / 500VDC; I/P-O/P:100MΩ / 500VDC / 25°C/ 70% RH
Leakage current	<0.7mA@277Vac

Note:

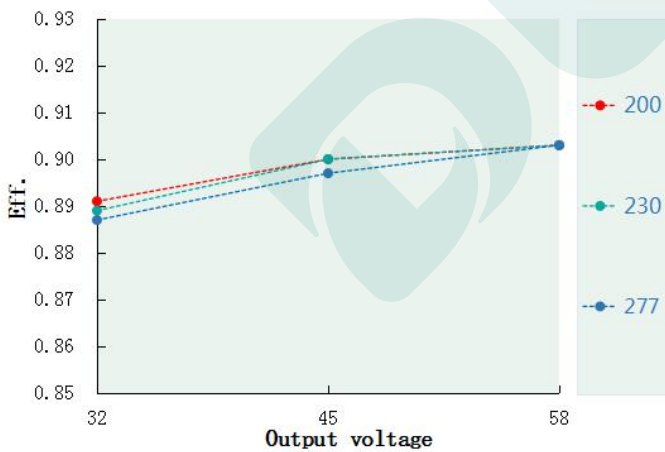
1.Attention! As a component of the whole, the EMC performance of the final product is not only decided by the driver, even if the driver is well-designed and fulfil all the required compliance. The final equipment manufacturers must re-qualify EMC Directive on the complete product.

I-V Working area

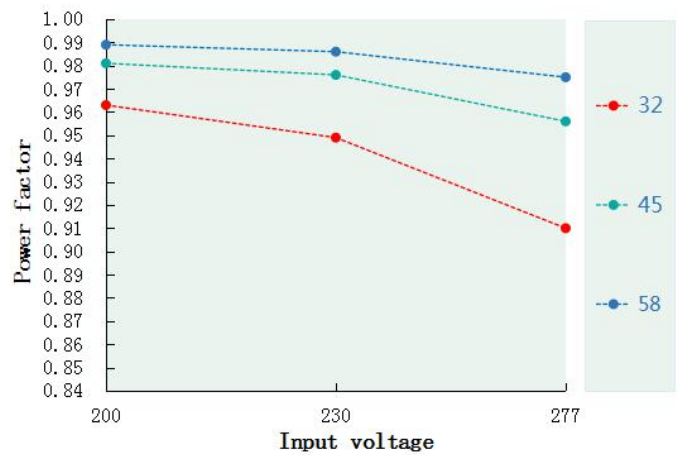


Load	Output								
Load working Voltage	32V	36V	39V	42V	46V	49V	52V	55V	58V
Io_MAX	1.8A	1.8A	1.8A	1.78A	1.63A	1.53A	1.44A	1.36A	1.3A
Po_MAX	57.6W	64.8W	70.2W	75W	75W	75W	75W	75W	75W

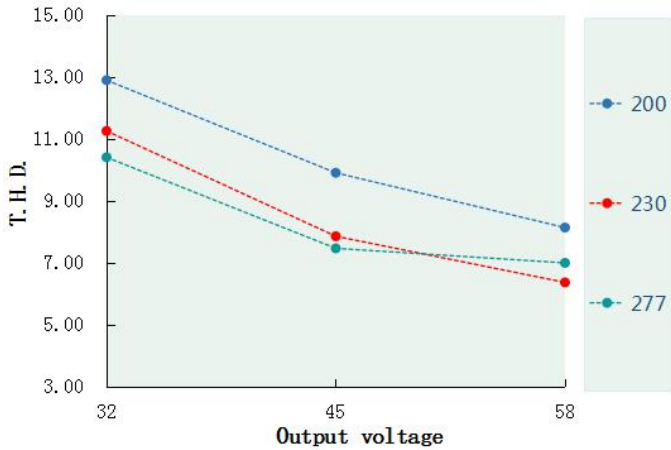
Eff. VS Output voltage(DL-75H-MAL)



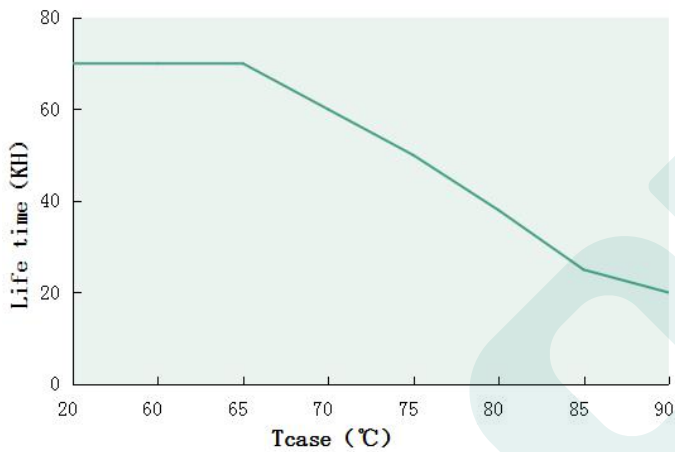
Power factor VS Input voltage(DL-75H-MAL)



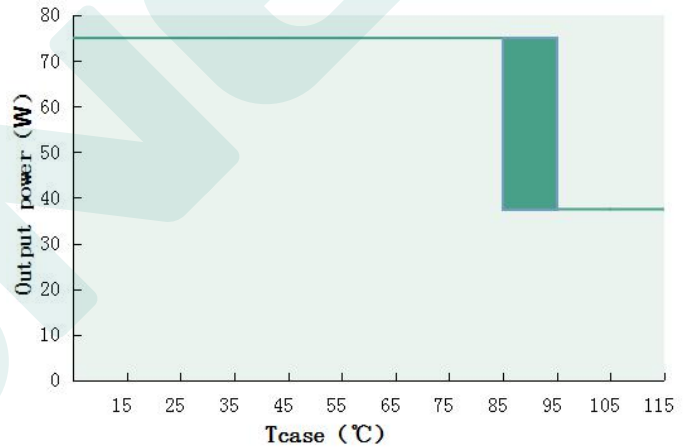
T.H.D. VS Output voltage(DL-75H-MAL)



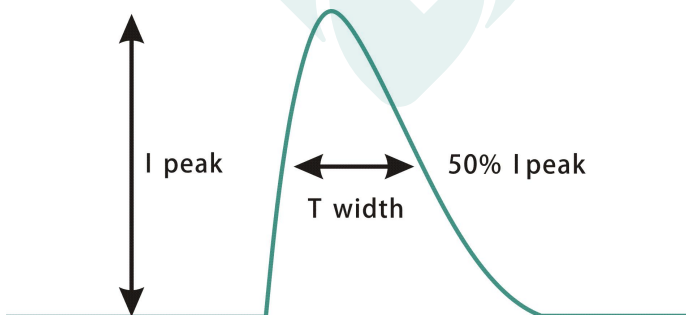
Tcase VS Lifetime(DL-75H-MAL)



Output power VS Tcase (DL-75H-MAL)

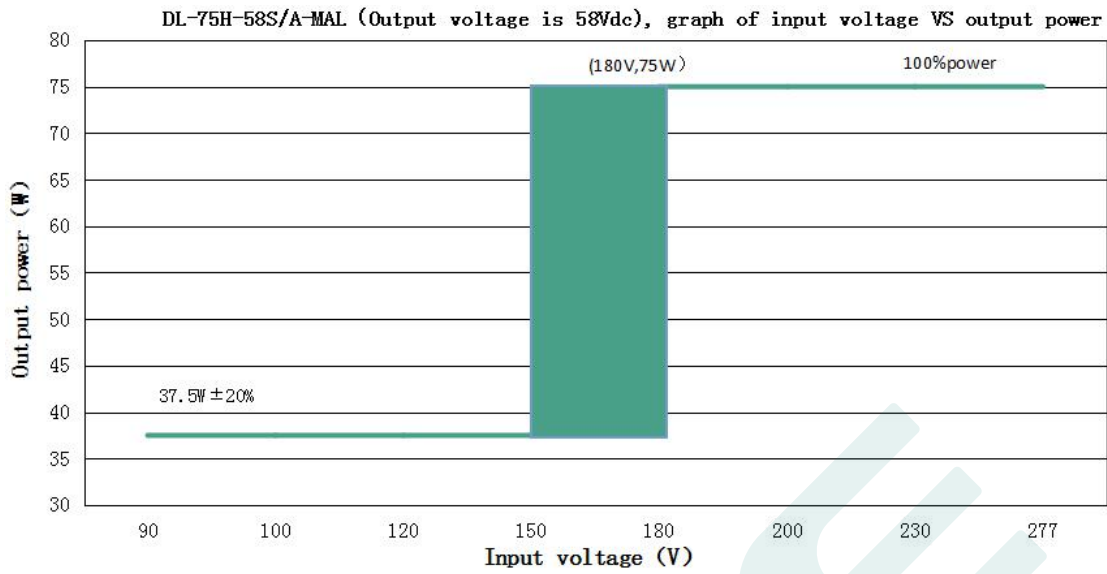


Inrush Current(DL-75H-MAL)



Input voltage	Peak current	T(@50% Peak current)
200Vac	63A	1.96us
230Vac	57A	2us
277Vac	67.8A	2us

Output power VS Input voltage



DL-75H-58A/S-MAL (For output 58Vdc, the rated output current & power under different input voltage)

Input Voltage	100Vac	120Vac	130Vac	150Vac	180Vac	200Vac	230Vac
Iout	0.65A	0.65A	0.65A	0.65A	1.3A	1.3A	1.3A
Pout	37.5W	37.5W	37.5W	37.5W	75W	75W	75W

Note: 1. When the input voltage is below 165±15Vac, the output power decreases to 37.5W±20%.

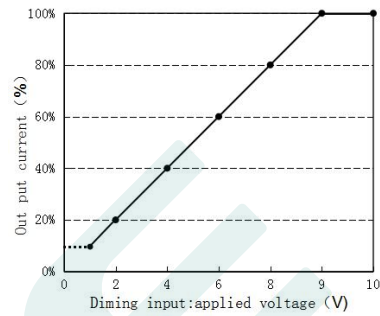
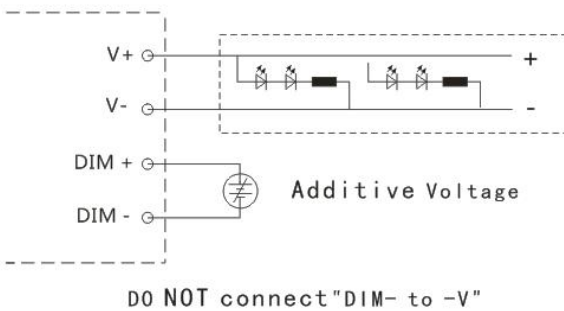
Dimming function

※ Three-in-one dimming function (S version only)

A. To adjust the output current, applying one of the three methods between DIM+ and DIM- : a resistor of 0-100K, or any voltage of 0-10V , or a PWM signal with amplitude of 10V. .

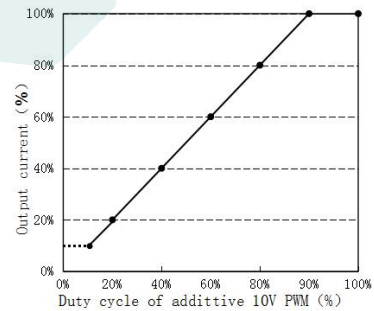
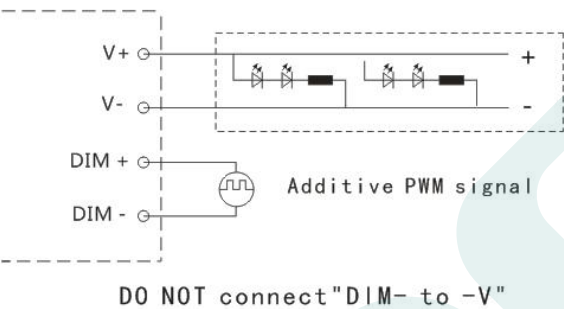
B. output current of dimming port: 100uA (typical value).

◎ With 1-10V dimming voltage(for both logic,negative and positive):



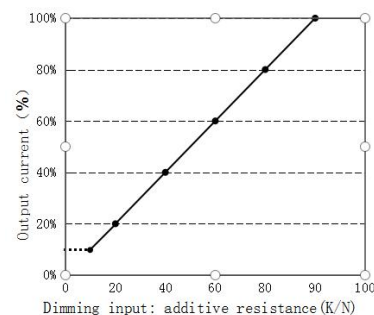
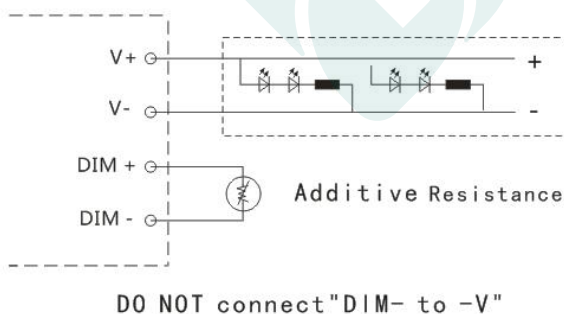
dimming curve

◎ With 10V PWM signal (Frequency range: 300Hz-2K Hz) :



dimming curve

◎ With an additional 0-100K resistor:



dimming curve

Remark:

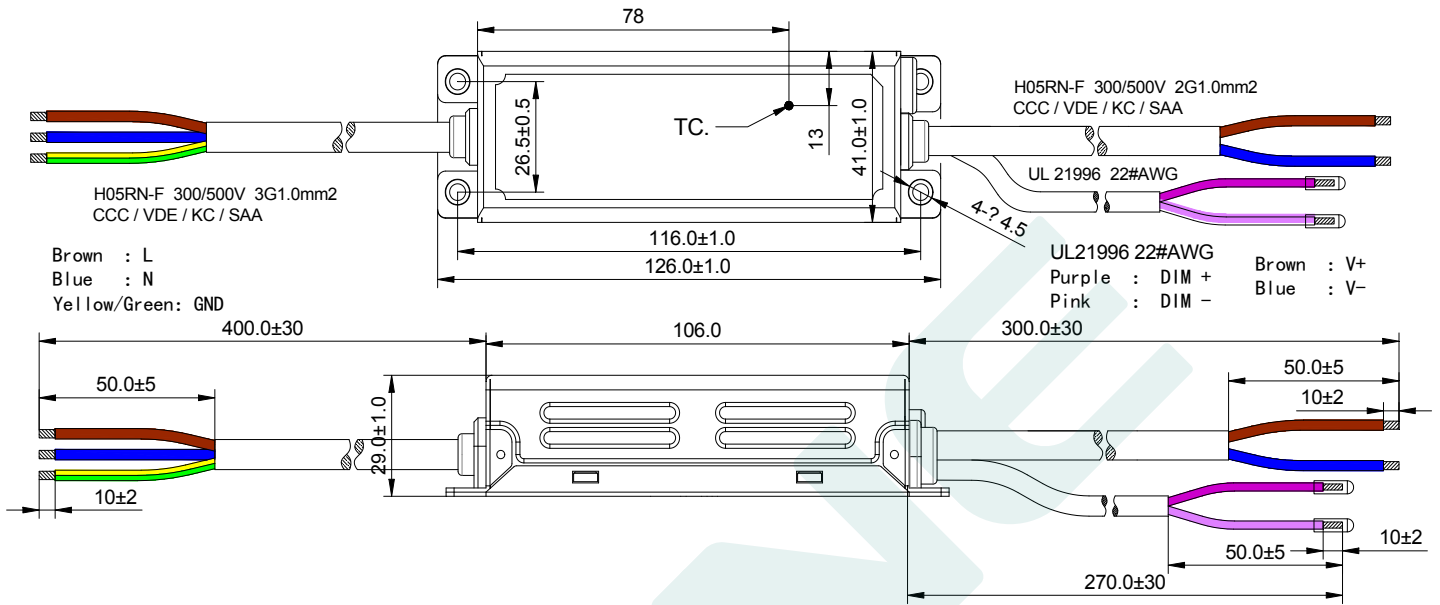
1. It is recommended to use 1-10V and the equivalent 3-in-1 dimmer, and the default state is to dim-off but can't meet the requirement of less than 0.5W standby power. If it is no need to be turned off, please contact the technicians for help.

Mechanical specification

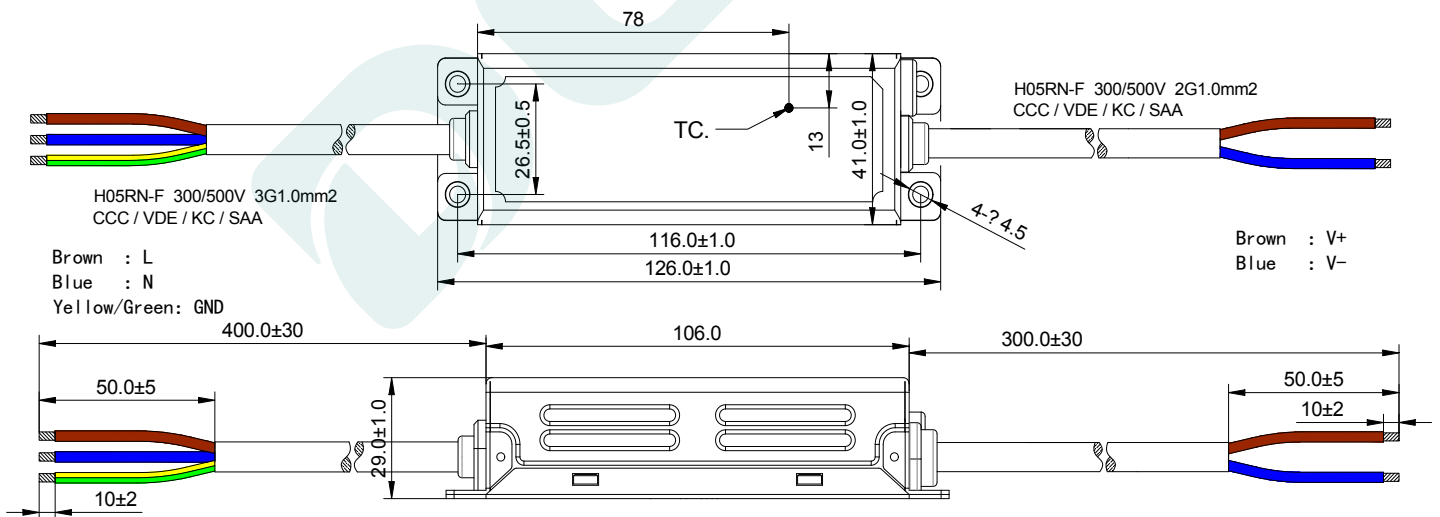
Size (mm) L126mm*W41mm*H29mm

Dimension drawing

DL-75H-58S-MAL



DL-75H-58A-MAL



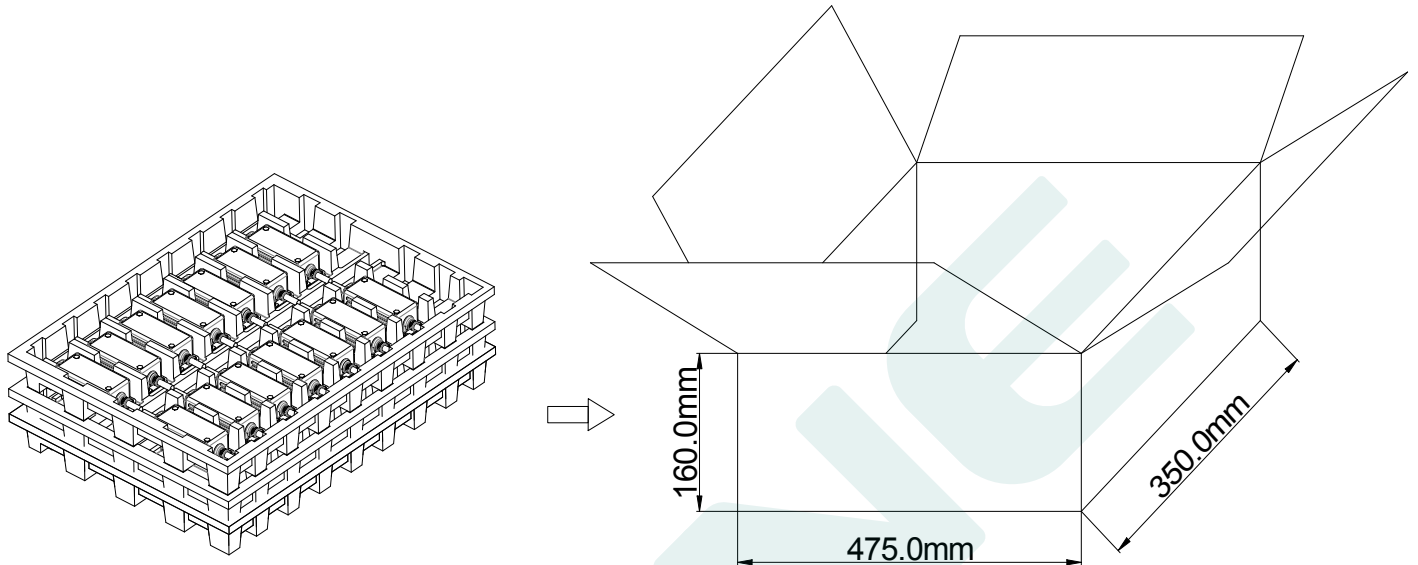
Weight

Weight 330g

Ten

Packaging

Packaging (mm) L475*W350*H160



Note: One Carton 3 layers and 14 pcs each layer, total 42pcs/carton.

Note:

1. According to the qualified certificate of the LED DRIVER, that with English label is for sale in Europe, America and India.
2. That with Chinese label are used for Chinese market.

Version

DATE	DESCRIPTION	REV.	CHECK
2023.11.28	Initial version.	V1.0	

MANUFACTURER

EDIT	CHECK	APPROVE