

The logo for DONE, featuring the word "DONE" in a bold, teal, sans-serif font. The letter "D" is stylized with a white circular element on its left side. The logo is contained within a white rounded square with a thin teal border.

**DONE**

# MXC SERIES LED DRIVERS

---

DL-150H-MXC SPECV V1.1

## Features

- Class I structure
- Input voltage:100-277V ~ 50/60Hz
- Full load power operating voltage :200-277V ~ 50/60Hz
- Efficiency :91.5%(Typ.)
- Constant power drive and constant current output control mode
- Metal shell structure, protection grade: IP67
- Lightning protection level: differential mode 6kV  
common mode 15kV
- Function selection:  
Output current is adjusted by external potentiometer (A version only)  
Input over-voltage protection ( Only the p version is optional )
- Lifetime design: 5 years



## Applications

Road lighting、Industrial lighting、Venue lighting  
 Floodlight lighting、Landscape lighting 、Plant lighting



## 型号列表

Model NO.	Input voltage	Output power	Output voltage	The default current	Eff.	T.H.D	PF
DL-150H-56P-MXC DL-150H-56A-MXC	AC 200-277V 50/60Hz	150W	25-56Vdc	3.8A	≥90%	≤10%	≥0.95
DL-150H-214P-MXC DL-150H-214A-MXC	AC 200-277V 50/60Hz	150W	95-214Vdc	1.05A	≥91.5%	≤10%	≥0.95

### Note :

1. Test conditions of the above parameters: Ta=25℃, 230Vac input, full load operation for 30 minutes;

## Input characteristics

Parameter	Min	Typ.	Max	remark
Rated input voltage	200Vac	230Vac	277Vac	
Input voltage range	180Vac		305Vac	When the input voltage is less than 170±15Vac, the derated output power
Rated frequency	47Hz	50/60Hz	63Hz	
Power factor	-	0.95	-	@230Vac full load,rated input voltage
Power factor	-	0.9	-	@200-277Vac full load,rated input
T.H.D.	-	10%	-	100% load, 230Vacinput
T.H.D.	-	20%	-	80%-100% load, 200-277Vacinput
Input current	-	0.9A	-	100% load, 230Vacinput
Inrush current	-	100A	-	230Vac, cold start (25°C)
No-load power consumption	-	10W	-	No load, 230Vac input
Stand-by power consumption	-	3W	-	Dimmer terminal voltage < 0.5V±0.1, 230Vac input

## Output characteristic

Parameter	Min	Typ.	Max	remark
Rated current DL-150H-56P/A-MXC DL-150H-214P/A-MXC	-	2.7A 0.7A	-	
Output current range DL-150H-56P/A-MXC DL-150H-214P/A-MXC	1.78A 0.5	-	4.2A 1.05A	-
Output voltage range DL-150H-56P/A-MXC DL-150H-214P/A-MXC	25V 95V	-	56V 214V	-
Rated power(200-277Vac)	-	150W	-	-
No-load voltage DL-150H-56P/A-MXC DL-150H-214P/A-MXC	-	-	75V 250V	
Efficiency@200Vac DL-150H-56P/A-MXC DL-150H-214P/A-MXC	87% 88%	89% 90%	-	full load@200Vac

## Output characteristic

Parameter	Min	Typ.	Max	remark
Efficiency@230Vac DL-150H-56P/A-MXC DL-150H-214P/A-MXC	88% 89%	90% 91.5%	-	full load@230Vac
Output Current Ripple	-	-	+5%	100% load,20 MHz BW; Ripple =rms/ average
Accuracy of output current	-5%	-	+5%	full load Constant power range
Line regulation	-3%	-	+3%	full load Constant power range
Load regulation	-3%	-	+3%	full load Constant power range
Starting time	300ms	-	1000ms	Full load@200-277Vac

**Note:**

- 1.The output current range is limited by the input and output voltage, please refer to "I-V WORKING AREA" for details.
2. When the output voltage is in the constant power range, the current accuracy is -5%-+5%; when the output voltage is below the constant power range, the current accuracy is -10%-+10%;

## Dimming characteristic

Parameter		Min	Typ.	Max	Note
1-10V Dimming ( Optional )	Safe applied voltage range	1V	-	12V	When the external voltage is $\geq 12V$ , the dimming will fail
	Dimming output range	10%	-	100%	-
	Rated dimming voltage range	1V	-	10V	It can be set to negative dimming mode through program setting
PWM Dimming ( Optional )	PWM high level	9.5V	-	10.5V	-
	PWM low level	0	-	0.3V	-
	PWM frequency band	300Hz	-	2000Hz	-
	PWM duty cycle	10%	-	99%	Output full power at 99% duty cycle
Resistor Dimming ( Optional )	External resistance value	10K $\Omega$	-	100K $\Omega$	-
	Dimming output range	10%	-	100%	-
Multiple time-controlled dimming (optional)	MCU control	Set segment dimming function through program			Working mode
	Timer control	It is divided into six segments by default and can be customized			24H to achieve a cycle

**Note:**

1. Output current of dimming port: 100uA (typical value);
2. The X version is 0-10V dimming, and the P version is 1-10V dimming (0V can be turned off). The maximum voltage of the dimming port is 12V. If the external power supply voltage exceeds 12V or the signal cable is inverted, the power supply will be damaged;
3. Dimming default setting is three in one positive logic dimming (programmable software can be set to timing dimming, 0-5V or other voltage dimming);
4. When set to positive logic dimming function, the 0V dimming is turned off, and the output voltage is  $0.46 \cdot V_{omax}$  after the dimming is turned off. Be careful when using this function, but customers are advised to use 1-10V dimming.

## Protection

Function	Function instructions
Input under-voltage protection	When the input voltage is less than 170±15Vac, the output power gradually decreases.
Output overload protection	Protection mode:hiccup mode,recovers automatically after fault condition is removed.
Output short circuit protection	Hiccup mode:recovers automatically after fault condition is removed
Over temperature protection	Self-recovery type: when the housing temperature is greater than 90℃, the output power decreases gradually.
Output over-voltage protection	Protection mode: Hiccup mode or clamped in output highest voltage , the product is not damaged, LED driver works normally after fault condition is removed.

**Note:**

1. Unless otherwise specified, all specifications and parameters shall be measured at the conditions of 230Vac (50Hz), rated load and 25℃ of ambient temperature;
2. Including setting error, line regulation and load regulation.

## Environmental

Environmental categories	Parameter
Working temperature	-40 ~ +55℃@200-277Vac
Max.Case Temp.	-40 ~ 90℃
Working humidity	20 ~ 95% RH, non condensing
Storage temperature、 humidity	-40~+80℃, 10 ~ 95% RH
Resistant to vibration	10 ~ 500Hz, 5G 12 min/cycle, X, Y, Z axis 72 min each
MTBF	230Khrs min. MIL-HDBK-217F (Ta=25℃)
Lifetime	50000 hours @Tcase≤75℃,230Vac, 80% Load, Please refer to "Tcase VS Lifetime" section

## Safety and EMC

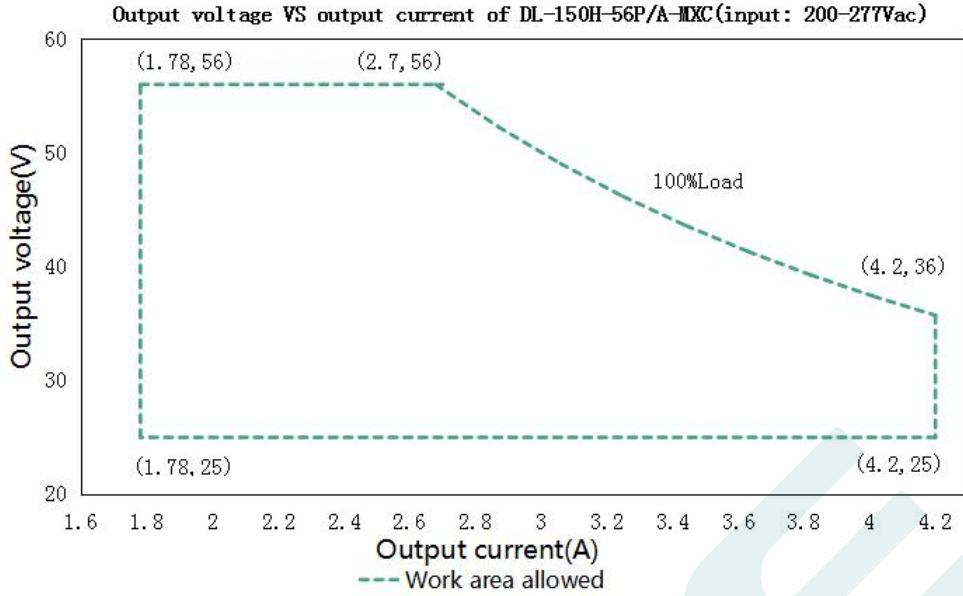
Safety categories	Standard
Safety	GB19510.1、GB19510.14、EN61347-1、EN61347-2-13、IEC61347-1、IEC61347-2-13、AS/NZS61347.1、AS61347.2.13、EN 62384、UL8750;
EMC	EN 55015、EN 61000-3-2 、GB/T 17743、GB17625.1、 EN 61000-3-3
Surge protection	Differential mode L-N $\pm 6KV$ ( 2 ohm ) ,common mode L, N-PE $\pm 15 KV$ ( 12 ohm ); Refer to IEC61000-4-5 2014 Criterion B
High-pot test	I/P-O/P:3.75KVac I/P-PE :1.5KVac O/P-PE : 0.5KVac I/P-DIM:1.5KVac O/P-DIM:1.5KVac
Insulation impedance	I/P-PE:100M $\Omega$ / 500VDC; I/P-O/P:100M $\Omega$ / 500VDC / 25 $^{\circ}C$ / 70% RH
Leakage current	<0.7mA@277Vac

**Note:**

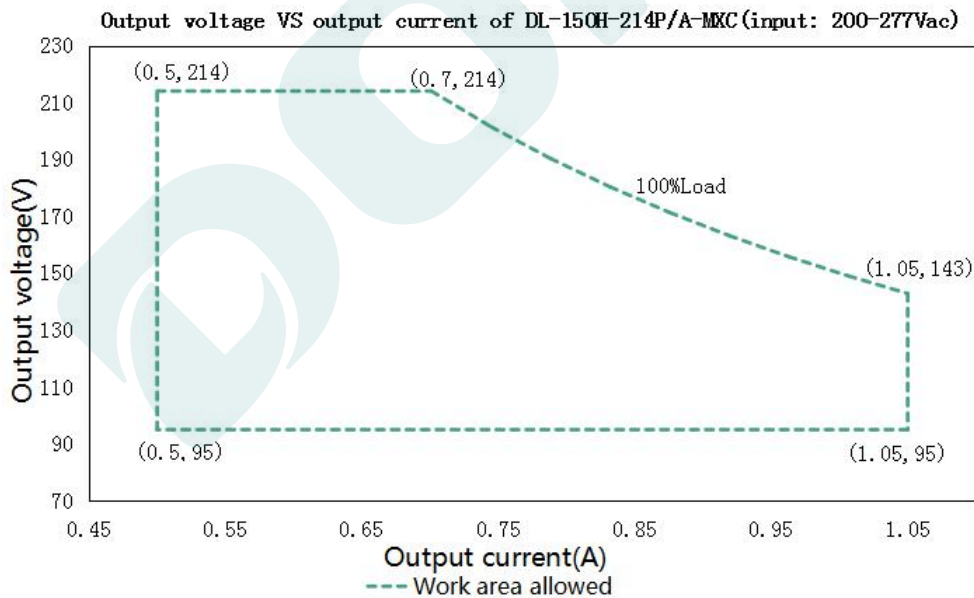
The driver is considered as a component that will be operated in combination with the final equipment. Since EMC performance will be affected by the complete installation,the final equipment manufacturers must re-qualify EMC Directive on the complete installation again.



## I-V Working area

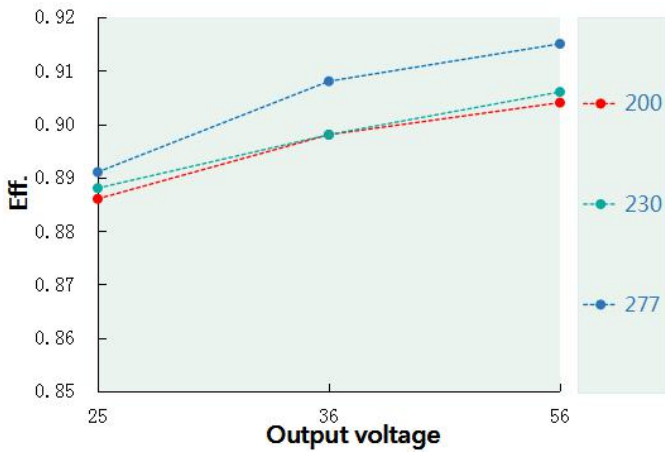


Load	Output								
Load working Voltage	25V	28V	32V	36V	40V	43V	48V	52V	56V
Io_MAX	4.2A	4.2A	4.2A	4.17A	3.75A	3.48A	3.13A	2.88A	2.7A
Po_MAX	105W	117.6W	134.4W	150W	150W	150W	150W	150W	150W

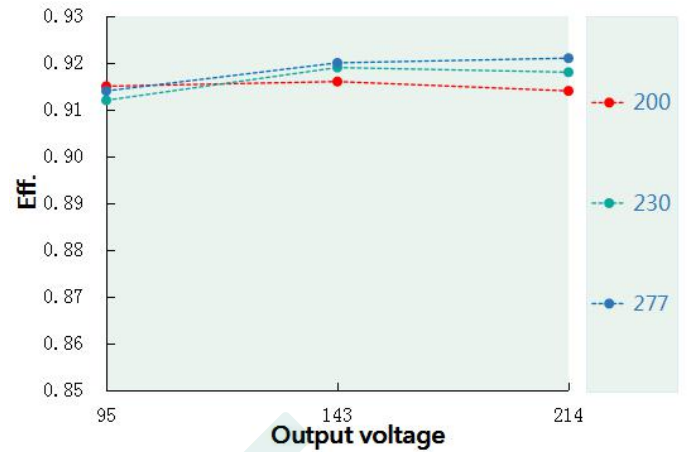


Load	Output								
Load working Voltage	95V	120V	135V	143V	165V	180V	190V	200V	214V
Io_MAX	1.05A	1.05A	1.05A	1.05A	0.91A	0.83A	0.79A	0.75A	0.7A
Po_MAX	99.75W	126.0W	141.75W	150W	150W	150W	150W	150W	150W

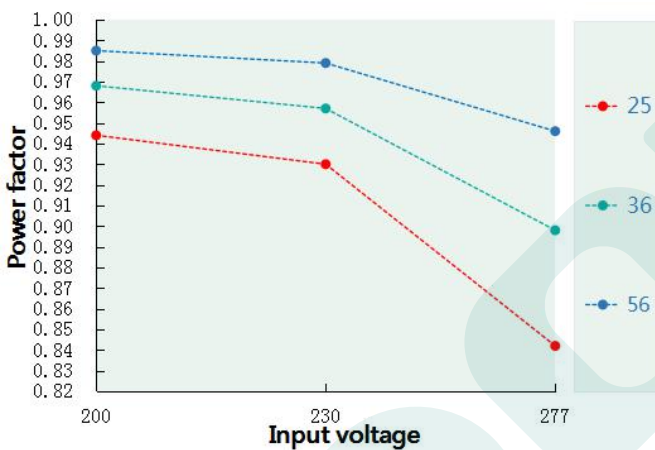
Eff. VS Output voltage DL-150H-56P/A-MXC



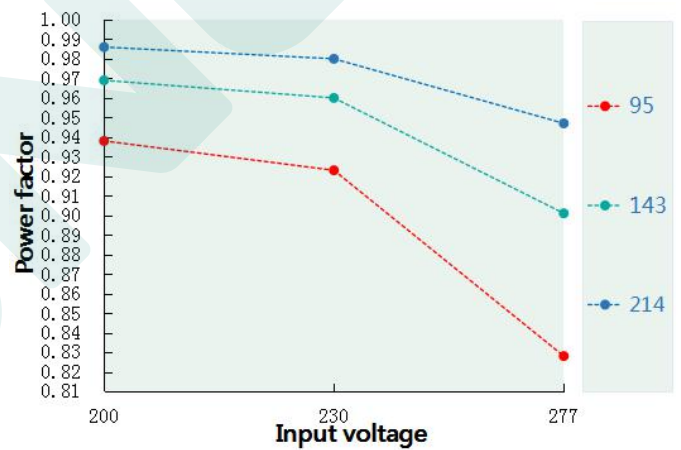
Eff. VS Output voltage DL-150H-214P/A-MXC



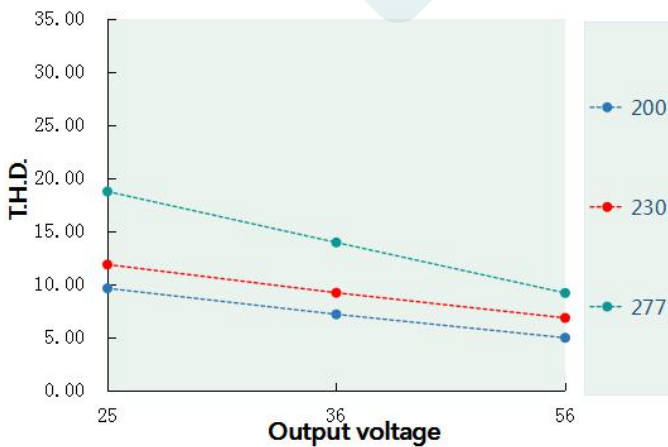
Power factor VS Input voltage DL-150H-56P/A-MXC



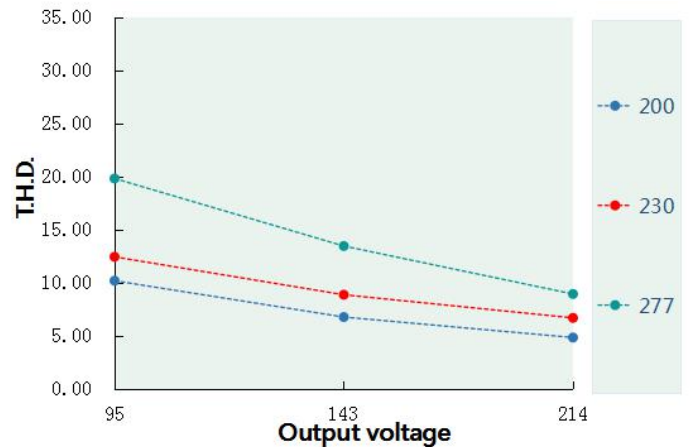
Power factor VS Input voltage DL-150H-214P/A-MXC



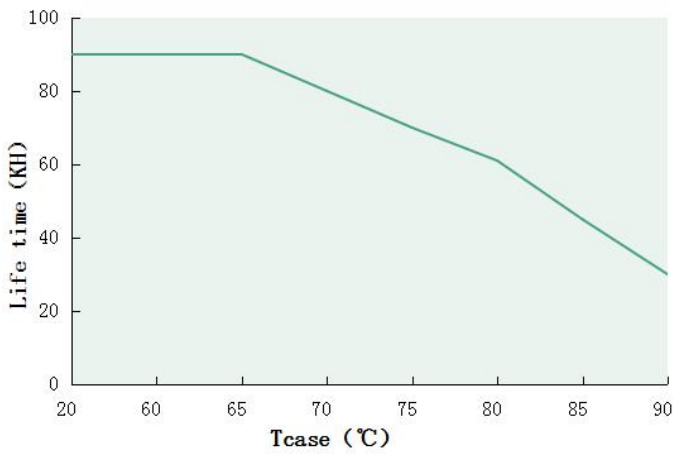
T.H.D. VS Output voltage DL-150H-56P/A-MXC



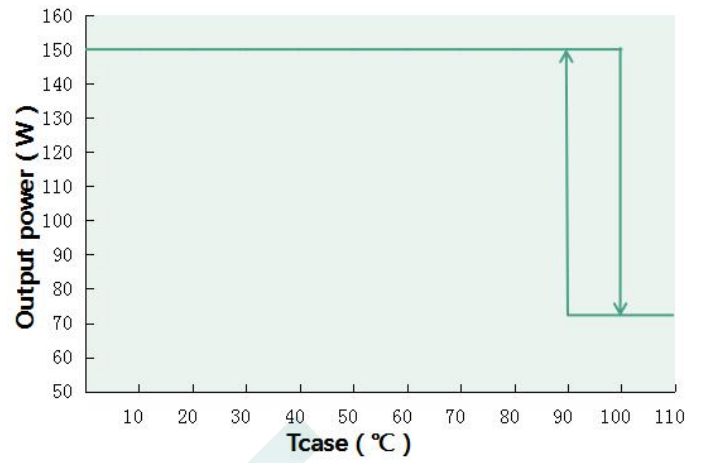
T.H.D. VS Output voltage DL-150H-214P/A-MXC



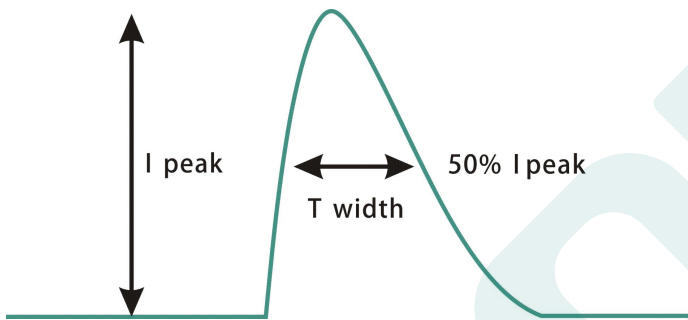
**Tcase VS Lifetime(DL-150H-MXC)**



**Output power VS Tcase(DL-150H-MXC)**



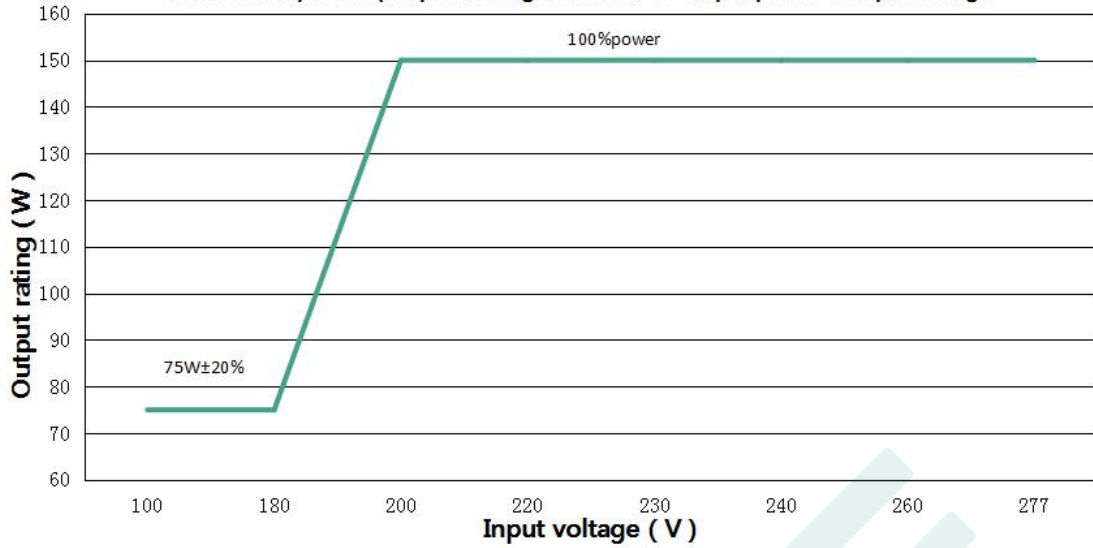
**Inrush Current (DL-150H-MXC)**



Input voltage	Peak current	T(@50% Peak current)
200Vac	74A	1.94us
230Vac	80A	2.02us
277Vac	104A	1.74us

**Output power VS Input voltage**

**DL-150H-56P/A-MXC(output voltage is 56vdc) , output power VS input voltage.**

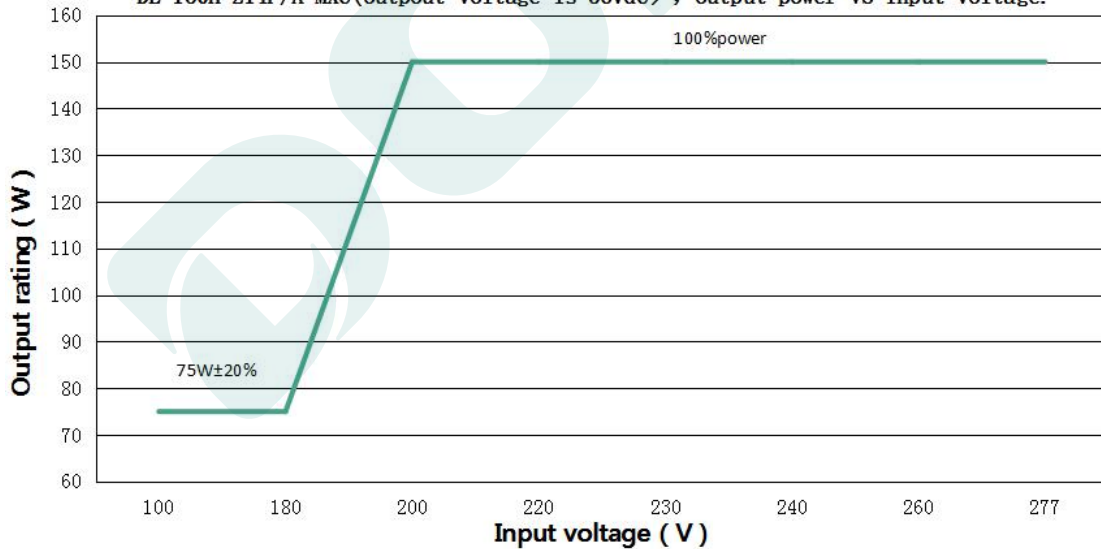


**DL-150H-56P/A-MXC(When the output voltage is 56Vdc, the rated output current value and output power corresponding to different input voltage)**

Input Voltage	160Vac	180Vac	200Vac	220Vac	230Vac	240Vac	277Vac
Iout	1.34A	1.34A	2.7A	2.7A	2.7A	2.7A	2.7A
Pout	75W	150W	150W	150W	150W	150W	150W

**Note:** Output power will decrease gradually when input voltage less than 180Vac±10%;When the input voltage is 180Vac,the output power range is 75W±20%.

**DL-150H-214P/A-MXC(output voltage is 56vdc) , output power VS input voltage.**



**DL-150H-214P/A-MXC(When the output voltage is 214Vdc, the rated output current value and output power corresponding to different input voltage)**

Input Voltage	160Vac	180Vac	200Vac	220Vac	230Vac	240Vac	277Vac
Iout	0.35A	0.7A	0.7A	0.7A	0.7A	0.7A	0.7A
Pout	75W	150W	150W	150W	150W	150W	150W

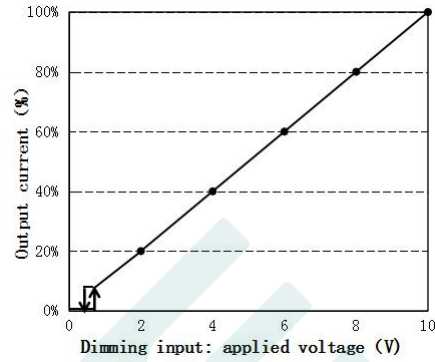
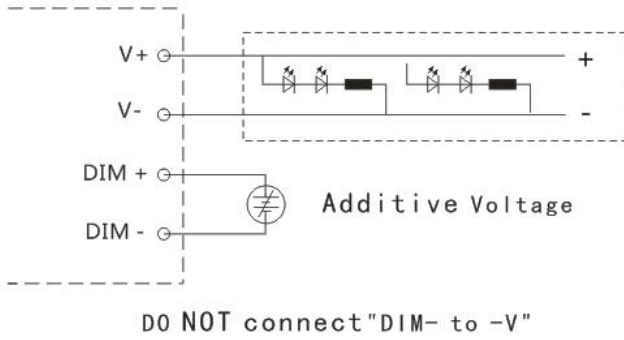
**Note:** Output power will decrease gradually when input voltage less than 180Vac±10%;When the input voltage is 180Vac,the output power range is 75W±20%.

## Dimming operation

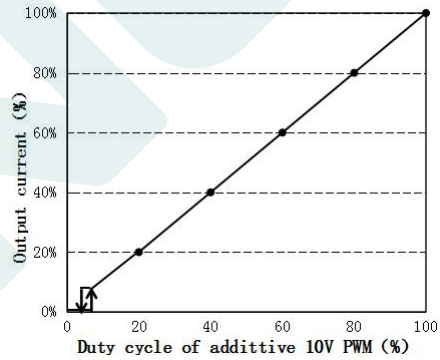
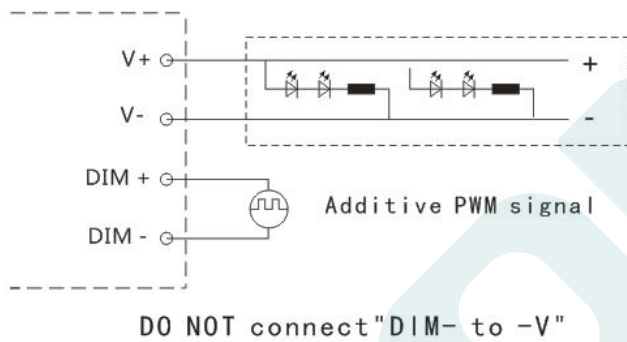
### ※ Three-in-one dimming function (P version only)

- A. Connect a resistor 10-100K or 1-10V DC voltage or 10V PWM signal between DIM+ and DIM- to adjust the output current.
- B. Output current of dimming port: 100uA (typical value).

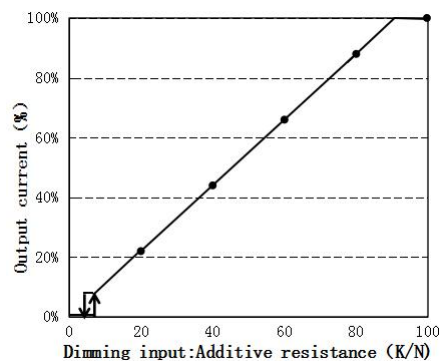
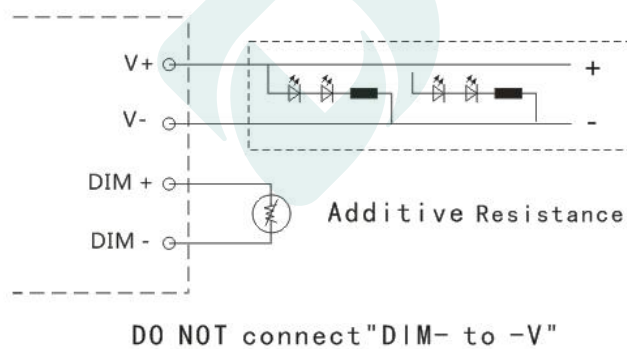
#### ◎ With an applied voltage of 1-10V:



#### ◎ Applying additive 10V PWM signal (Frequency range: 300Hz-2K Hz) :



#### ◎ With an additional 10-100K resistor:



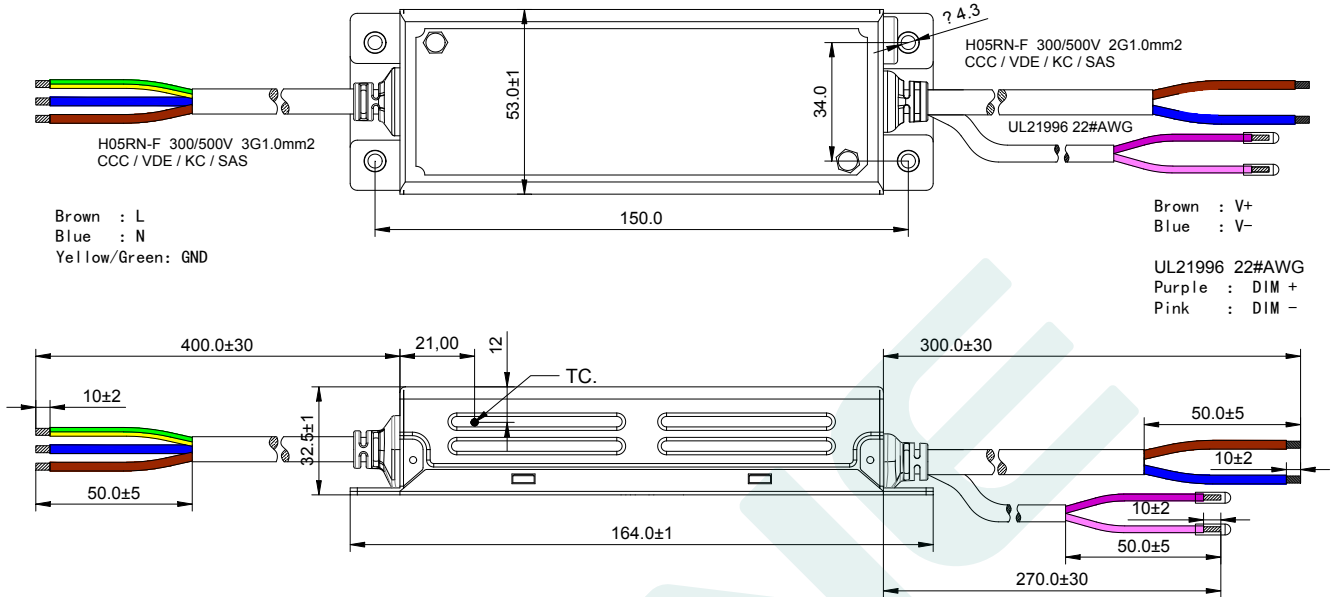
#### Note:

1. Positive and negative logic dimming can be programmed.
2. Dimming off only applies to positive logic. For other requirements, please contact technical personnel.

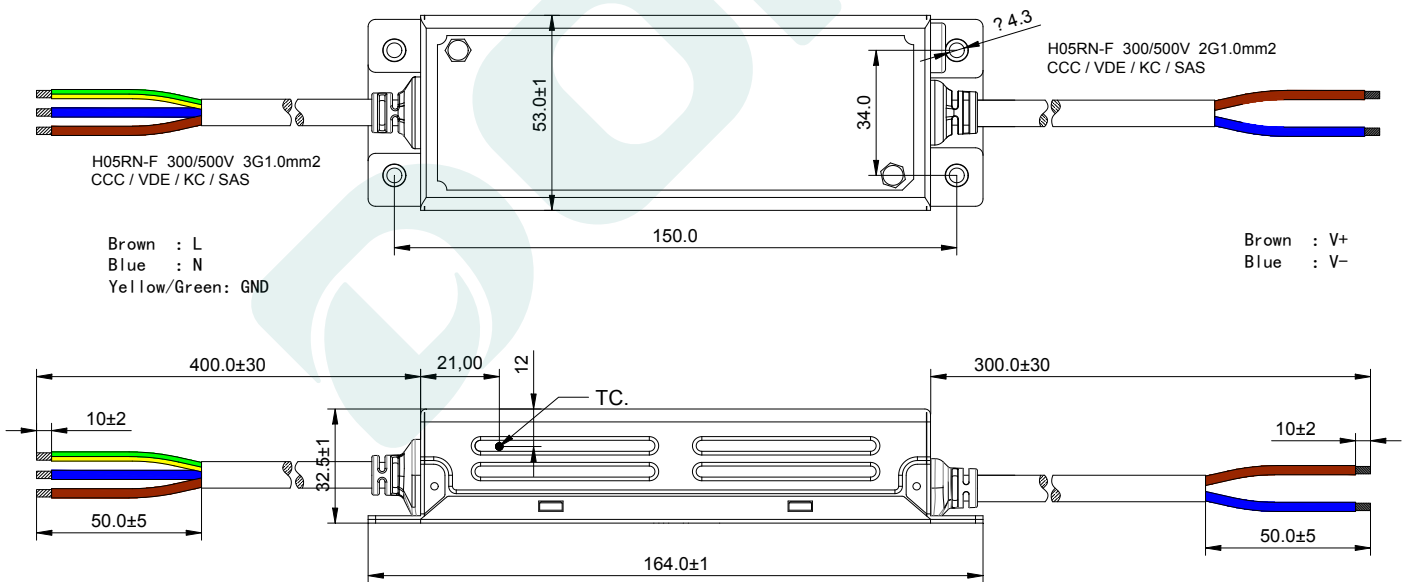
## Mechanical specification

Size (mm) L164\*W53\*H32.5

### DL-150H-56/214P-MXC



### DL-150H-56/214A-MXC



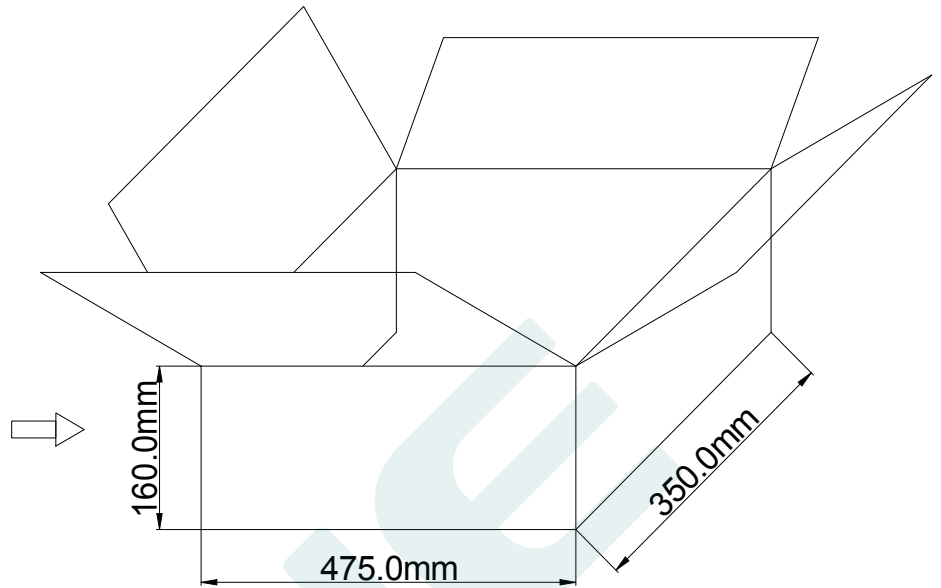
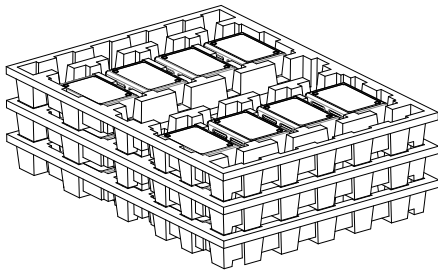
## Weight

Weight 565g

## Packaging

Packaging (mm)

L475\*W350\*H160



Note: One Carton 3 layers and 8 pcs each layer, total 24pcs/carton.

**Note:**

1. According to the certificate obtained by the LED DRIVER, the LED DRIVER with the English label is sold in Europe, America and India.
2. The LED DRIVER with Chinese label is only used for China market.

## Version

DATE	DESCRIPTION	REV.	CHECK
2024.1.18	Initial version.	V1.0	
2024.3.18	Modify the input voltage range to add the full power operating voltage range	V1.1	

### MANUFACTURER

EDIT

CHECK

APPROVE

--	--	--