

## 三相-TEFC-56C 3 PHASE-TEFC-56C WITH FEET

### 特点：

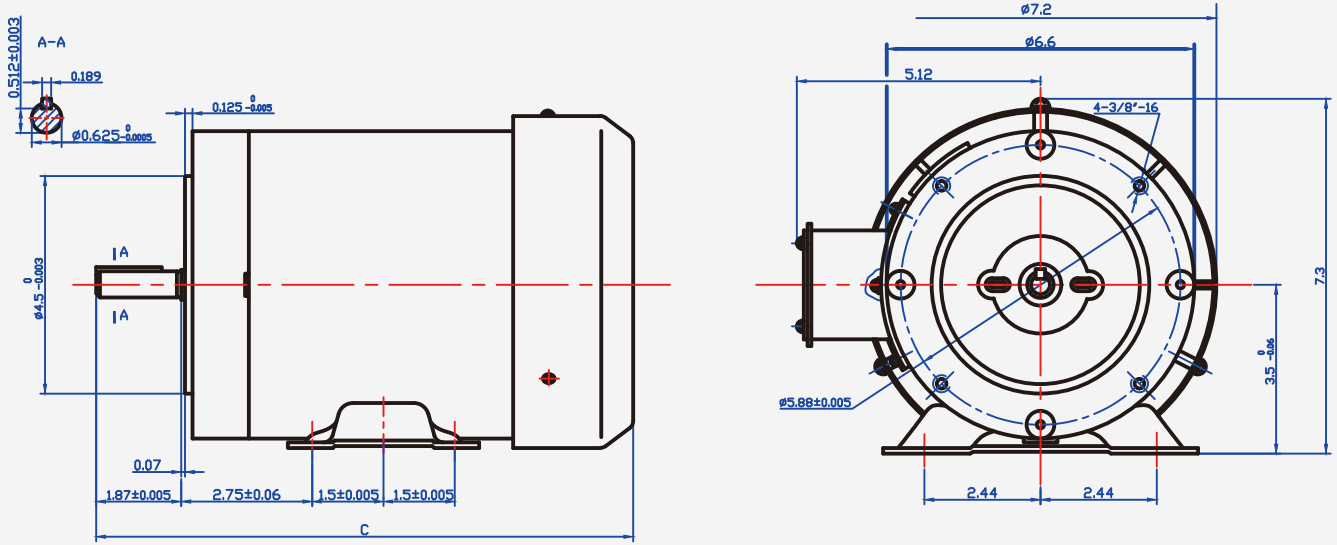
- 变频-6-60HZ CT, VT / PWM VFD 1.0 S.F.
- H级变频绕组—F级引线
- "Legacy"重载设计结合耐久钢风扇罩
- C法兰以及刚性基底

### Features :

- INVERTER RATED - 6-60HZ CT, VT / PWM VFD 1.0 S.F
- Class H inverter winding - Class F leads
- "Legacy" heavy duty design with durable steel fan guard
- C-Flange and rigid base



型号	功率	转速	机座	电压	满负荷电流	绝缘系数	过载系数	冷却方式	工作制	重量
GW REF. NO.	HP	RPM	FRAME	VOLTAGE	230V FLA	INS. CLASS	S.F.	ENCL.	DUTY	WGT KG
YSN5614-S	0.5	1800	56C	230/460	1.3*	F	1.15	TEFC	CONT.	15.2*
YSN5624-S	0.75	1800	56C	230/460	2.1*	F	1.15	TEFC	CONT.	16.3*
YSN5634-S	1.0	1800	56C	230/460	2.5*	F	1.15	TEFC	CONT.	17.2*
YSN5644-S	1.5	1800	56C	230/460	3.4*	F	1.15	TEFC	CONT.	18.9*
YSN5664-S	2.0	1800	56C	230/460	4.5*	F	1.15	TEFC	CONT.	21.3*



SMC MODEL	SMM MODEL	FRAME	PH	HP	Hz	Volt	RPM	thermal protector	C
YSN5614-S	N56BC05S18D30FN51	56C	3	1/2	60	230/460	1800	NO	11
YSN5624-S	N56BC75S18D30FN51	56C	3	3/4	60	230/460	1800	NO	
YSN5634-S	N56BC10S18D30FN51	56C	3	1	60	230/460	1800	NO	
YSN5644-S	N56BC15S18D30FN51	56C	3	1.5	60	230/460	1800	NO	11.5
YSN5664-S	N56BC20S18D30FN51	56C	3	2	60	230/460	1800	NO	12.5

\*以上数据仅供参考，可根据要求定制。

