

冷却塔专用三相异步电动机 3 Phase Asynchronous Motors for Cooling Towers

金陵冷却塔专用电动机为铸铁外壳,机械强度高,结构合理,外形美观,运行性能稳定可靠,高效节能,振动小噪声低。按冷却塔专用要求设计,具有突出的力能指标与防锈能力。金陵冷却塔电机符合IEC60034、GB755、GB 14711、GB18613等标准。

GW Cooling Tower Motors are cast iron housing, high mechanical strength, reasonable structure, beautiful appearance, stable and reliable operation performance, high efficiency and energy saving, low vibration and low noise.

Designed according to the special requirements of cooling tower, GW Cooling Tower Motors have outstanding output performance and anti-rust ability.

The motors conform to IEC60034, GB755, GB 14711, GB18613 and other related standards.



■ 特征

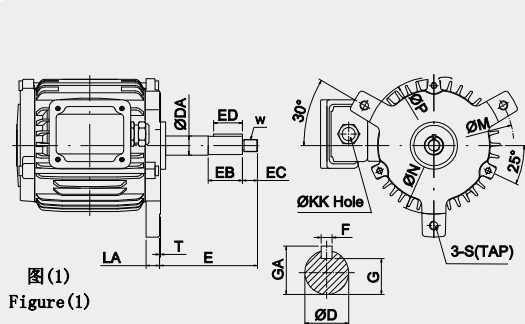
- 机座号范围：71~250
- 功率范围：0.12kW~45KW
- 极数范围：2P~16P
- 额定电压：220V、380V、400V、415V, 特殊电压可订制
- 额定频率：50Hz, 变频范围25Hz-50Hz, 其它频率可订制
- 冷却方式：IC411、IC410、IC418
- 防护等级：IP55
- 工作制：S1 连续

FEATURES

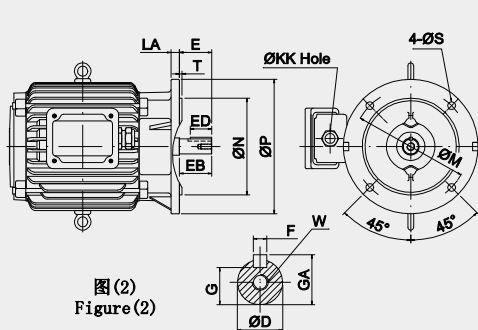
- Frame Size: 71~250
- Output Power: 0.12kW~45KW
- Poles: 2P~16P
- Voltage: 220V、380V、400V、415V, Special voltage can be customized
- 50Hz, 25Hz-50Hz, Other frequencies can be customized
- Cooling Type: TEFC、TENV、TEAO
- Protection: IP55
- Duty: S1 Continuous

额定功率		机座号	型号	转速	安装方式	冷却方式
HP	KW	Frame	Model	Speed(r/min)	Mounting	Cooling
1/6	0.12	71	YJCK711-6	1000	V1	IC418
1/4	0.18	71	YJCK712-6	1000	V1	IC418
1/2	0.37	80	YJCK801-6	1000	V1	IC418
3/4	0.55	90L	YJCK90L-8	750	V1	IC418
1	0.75	90L	YJCK90L1-6	1000	V1	IC418
2	1.5	90L	YJCK90L-4	1500	V1	IC418
2	1.5	100L	YJCK100L-6	1000	V1	IC418
2	1.5	112M	YJCK112M-8	750	V1	IC418
2	1.5	132S	YJCK132S-10	600	V1	IC418
3	2.2	100L	YJCK100L1-4	1500	V1	IC418
3	2.2	132S	YJCK132S-8	750	V1	IC418
5	3.7	112M	YJCK112M-4	1500	V1	IC418
5	3.7	132S	YJCK132S-6	1000	V1	IC418
5	3.7	160M	YJCK160M2-10	600	V1	IC418
7.5	5.5	132S	YJCK132S-4	1500	V1	IC418
7.5	5.5	132M	YJCK132M2-6	1000	V1	IC418
10	7.5	132M	YJCK132M-4	1500	V1	IC418
10	7.5	160M	YJCK160M-6	1000	V1	IC418
15	11	160M	YJCK160M-4	1500	V1	IC418
15	11	160L	YJCK160L-6	1000	V1	IC418
20	15	160L	YJCK160L-4	1500	V1	IC418
20	15	180M	YJCK180M-6	1000	V1	IC418
25	18.5	180M	YJCK180M1-4	1500	V1	IC418
25	18.5	180L	YJCK180L1-6	1000	V1	IC418
30	22	180M	YJCK180M-4	1500	V1	IC418
30	22	180L	YJCK180L2-6	1000	V1	IC418
40	30	180L	YJCK180L-4	1500	V1	IC418
50	37	200L	YJCK200L1-4	1500	V1	IC418
2	1.5	90L	YJE2-90L-4	1500	B3、V5、V6	IC411
3	2.2	100L	YJE2-100L1-4	1500	B3、V5、V6	IC411
5	3.7	112M	YJE2-112M-4	1500	B3、V5、V6	IC411
5	3.7	132M	YJE2-132M1-6	1000	B3、V5、V6	IC411
7.5	5.5	132S	YJE2-132S-4	1500	B3、V5、V6	IC411
7.5	5.5	132M	YJE2-132M2-6	1000	B3、V5、V6	IC411
10	7.5	132M	YJE2-132M-4	1500	B3、V5、V6	IC411
10	7.5	160M	YJE2-160M-6	1000	B3、V5、V6	IC411
15	11	160L	YJE2-160L-6	1000	B3、V5、V6	IC411
20	15	180L	YJE2-180L-6	1000	B3、V5、V6	IC411
40	30	200L	YJE2-200L-4	1500	B3、V5、V6	IC411
50	37	225S	YJE2-225S-4	1500	B3、V5、V6	IC411
60	45	225M	YJE2-225M-4	1500	B3、V5、V6	IC411
75	55	250M	YJE2-250M-4	1500	B3、V5、V6	IC411

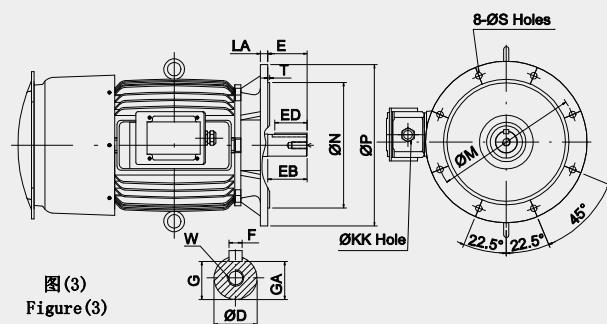
■ 安装及外形尺寸 MOUNTING AND OVERALL DIMENSIONS



图(1)
Figure (1)



图(2)
Figure (2)



图(3)
Figure (3)

机座号 Frame	HP	kW	极数 Poles	安装尺寸 Mounting Dimensions					ØKK	LA	轴端尺寸 Shaft									轴承 Bearing		型号 Model	备注 Remark	
				M	ØN	ØP	S	T			ØD	DA	E	EB	EC	ED	F	G	GA	W	L.S			O.S
71M	1/6	0.12	6	168	138	198	M10	1	PF 3/4	17	11	20	130	35	15	25	4	8.5	12.5	M10	6204ZZ	6202ZZ	YJCK711-6	图(1) Figure (1)
	1/4	0.18	6	182	152	212	M10	1	PF 3/4	17	19	19.9	120	35	15	25	5	16	21	M12	6204ZZ	6202ZZ	YJCK712-6	
80M	1/2	0.37	6	210	180	240	M12	1	PF 3/4	18	24	24.9	137	45	20	30	7	20	27	M16	6205ZZ	6204ZZ	YJCK80-6	
90L	1	0.75	6	210	180	240	M12	1	PF 3/4	19	24	24.9	169	45	20	30	7	20	27	M16	6205ZZ	6205ZZ	YJCK90L1-6	
	3/4	0.56	8	210	180	240	M12	1	PF 3/4	19	24	24.9	137	45	20	30	7	20	27	M16	6205ZZ	6205ZZ	YJCK90L-8	
100L	2	1.5	6	230	200	260	M12	1	PF 3/4	22	24	24.9	152	60	20	45	7	20	27	M16	6206ZZ	6305ZZ	YJCK100L-6	
112M	2	1.5	8	215	-	250	14.5	-	PF 3/4	16	28	29.9	170	60	30	45	7	24	31	M24	6306ZZ	6306ZZ	YJCK112M-8	
132S	3	2.2	8	265	-	300	14.5	-	PF 1	16	32	39.9	160	60	25	50	10	27.5	35.5	M24	6308ZZ	6306ZZ	YJCK132S-8	
	2	1.5	10	265	-	300	14.5	-	PF 1	16	28	39.9	160	60	25	50	7	24	31	M24	6308ZZ	6306ZZ	YJCK132S-10	
160M	5	4	10	300	-	350	18.5	-	PF 1	20	38	44.9	270	102	40	90	10	33.5	41.5	M30	6309ZZ	6307ZZ	YJCK160M2-10	
90L	2	1.5	4	165	130	200	12	3.5	PF 3/4	11	24	-	50	50	-	40	8	20	27	M8	6205ZZ	6205ZZ	YJCK90L-4	
100L	3	2.2	4	215	180	250	14.5	4	PF 3/4	16	28	-	60	60	-	50	8	24	31	M10	6206ZZ	6305ZZ	YJCK100L1-4	
112M	5	4	4	215	180	250	14.5	4	PF 3/4	16	28	-	60	60	-	40	8	24	31	M10	6306ZZ	6306ZZ	YJCK112M-4	
132S	7.5	5.5	4	265	230	300	14.5	4	PF 1	20	38	-	80	80	-	70	10	33	41	M12	6308ZZ	6306ZZ	YJCK132S-4	
	5	4	6	265	230	300	14.5	4	PF 1	20	32	-	80	80	-	70	10	27.5	35.5	M12	6308ZZ	6306ZZ	YJCK132S-6	
132M	7.5	5.5	6	265	230	300	14.5	4	PF 1	20	32	-	80	80	-	70	10	27.5	35.5	M12	6308ZZ	6306ZZ	YJCK132M2-6	
	10	7.5	4	265	230	300	14.5	4	PF 1	20	38	-	80	80	-	70	10	33	41	M12	6308ZZ	6306ZZ	YJCK132M-4	
160M	15	11	4	300	250	350	18.5	4	PF 1	20	42	-	110	110	-	90	12	37.5	45.5	M16	6309ZZ	6307ZZ	YJCK160M-4	
	10	7.5	6	300	250	350	18.5	4	PF 1	20	42	-	110	110	-	90	12	37.5	45.5	M16	6309ZZ	6307ZZ	YJCK160M-6	
160L	20	15	4	300	250	350	18.5	4	PF 1	20	42	-	110	110	-	90	12	37.5	43.5	M16	6309ZZ	6307ZZ	YJCK160L-4	
	15	11	6	300	250	350	18.5	4	PF 1	20	42	-	110	110	-	90	12	37.5	43.5	M16	6309ZZ	6307ZZ	YJCK160L-6	
180M	25	18.5	4	350	300	400	18.5	5	PF 1 1/2	20	48	-	110	110	-	90	14	42.5	51.5	M16	6311ZZ	6310ZZ	YJCK180M1-4	
	30	22	4	350	300	400	18.5	5	PF 1 1/2	20	48	-	110	110	-	90	14	42.5	51.5	M16	6311ZZ	6310ZZ	YJCK180M-4	
	20	15	6	350	300	400	18.5	5	PF 1 1/2	20	48	-	110	110	-	90	14	42.5	51.5	M16	6311ZZ	6310ZZ	YJCK180M-6	
180L	25	18.5	6	350	300	400	18.5	5	PF 1 1/2	20	55	-	110	110	-	90	16	49	59	M20	6312ZZ	6310ZZ	YJCK180L1-6	
	30	22	6	350	300	400	18.5	5	PF 1 1/2	20	55	-	110	110	-	90	16	49	59	M20	6312ZZ	6310ZZ	YJCK180L2-6	
	40	30	4	350	300	400	18.5	5	PF 1 1/2	20	55	-	110	110	-	90	16	49	59	M20	6312ZZ	6310ZZ	YJCK180L-4	
200L	50	37	4	400	350	450	18.5	5	PF 2	20	55	-	110	110	-	90	16	49	59	M20	6314ZZ	6212ZZ	YJCK200L1-4	

* 以上数据仅供参考，可按客户要求更改

* 标准TEFC电机的安装及外形尺寸图，请参照金陵YE2/YE3系列铸铁电机样本。

* The above data are for reference only and can be customized as required.

* Please refer to the catalog of GW YE2/YE3 Series for installation and dimensions of Standard IEC TEFC Motors.