



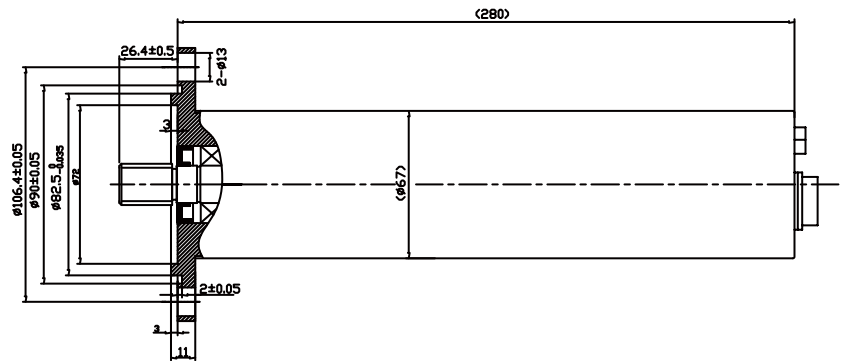
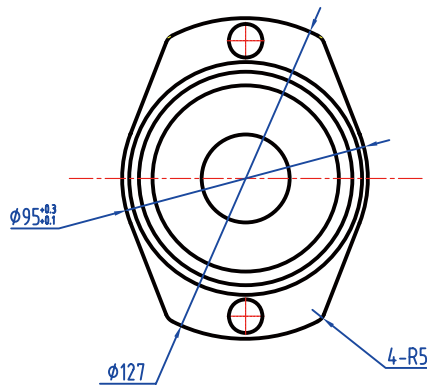
PLANETARY GEAR DC MOTOR - SOLAR TRACKING SYSTEM

特点 FEATURES

- 高扭矩，达250Nm。
- High torque, up to 250Nm.
- 可靠性高，寿命长。
- High reliability, long life time.
- 适用温度范围在-40℃到80℃。
- Wide temperature range from -40℃ to 80℃.
- 高效，效率高于80%（仅电机部分）。
- High efficiency >80% (motor only).
- 应用于太阳能追踪系统。
- Applied in solar tracking system.



外形和尺寸 LAYOUT & DIMENSIONS



GW Model No	Type	Power(W)	Voltage(V)	Current(A)	Eff%	Speed(r/min)	Rated Torque(Nm)	Peak Torque(Nm)	Ins. Class	IP CODE
ZWH65-03	Brushless DC motor	60	24	2.5	78	5±1	50	100	F	65
ZWH65-02	Brushless DC motor	90	24	5	80	5±1	100	200	F	65
ZWH65-01	Brushless DC motor	120	24	6	81	5±1	150	250	F	65
ZWH65-04	Brushless DC motor	150	24	7.8	82	5±1	200	300	F	65
ZYT65/60	Permanent Magnet DC motor	60	24	2.5	78	5±1	50	100	F	65
ZYT65/90	Permanent Magnet DC motor	90	24	5	80	5±1	100	200	F	65
ZYT65/120	Permanent Magnet DC motor	120	24	6	81	5±1	150	250	F	65
ZYT65/150	Permanent Magnet DC motor	150	24	7.8	82	5±1	200	300	F	65



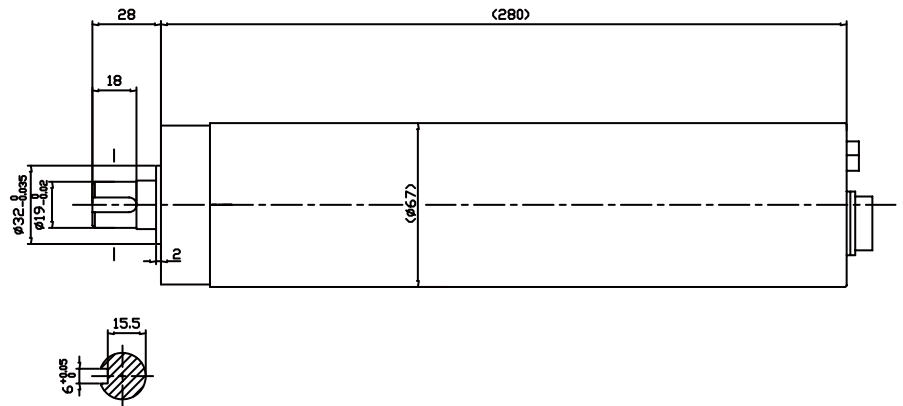
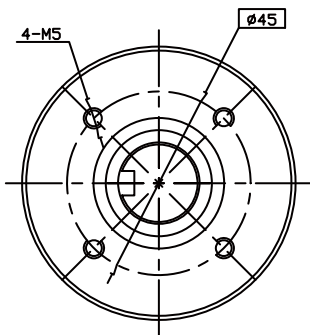
PLANETARY GEAR DC MOTOR -GENERAL APPLICATION

特点 FEATURES

- 体积小、转矩大、安全可靠。
- 广泛用于医疗仪器、微型转台、微型泵、电动窗帘、车库门闸等。
- Small size, large torque, safe and reliable.
- Widely used in medical instruments, miniature turntable, miniature pumps, electric curtains, garage door brake etc..



外形和尺寸 LAYOUT & DIMENSIONS



GW Model No	Type	Power(W)	Voltage(V)	Current(A)	Eff%	Speed(r/min)	Rated Torque(Nm)	Peak Torque(Nm)	Ins. Class	IP CODE
ZWH65-03	Brushless DC motor	60	24	2.5	78	5±1	50	100	F	65
ZWH65-02	Brushless DC motor	90	24	5	80	5±1	100	200	F	65
ZWH65-01	Brushless DC motor	120	24	6	81	5±1	150	250	F	65
ZWH65-04	Brushless DC motor	150	24	7.8	82	5±1	200	300	F	65
ZYT65/60	Permanent Magnet DC motor	60	24	2.5	78	5±1	50	100	F	65
ZYT65/90	Permanent Magnet DC motor	90	24	5	80	5±1	100	200	F	65
ZYT65/120	Permanent Magnet DC motor	120	24	6	81	5±1	150	250	F	65
ZYT65/150	Permanent Magnet DC motor	150	24	7.8	82	5±1	200	300	F	65