

The logo for DONE, featuring the word "DONE" in a bold, teal, sans-serif font. The letter "D" is stylized with a white circular element on its left side. The logo is contained within a white rounded square with a thin teal border.

DONE

MXC SERIES LED DRIVERS

DL-50H-56A/P-MXC SPEC

V1.0

Features

- Class I structure
- Input voltage: 100-305 V ~ 50/60 Hz
- Rated input voltage: 200-277V ~ 50/60 Hz 50W max
- Available voltage: 100-150V ~ 50/60Hz 30W max.. Output PowerOutput power
- Efficiency :89%(Typ.)
- Constant power drive and constant current output control mode
- Metal shell structure, protection grade: IP67
- Lightning protection level: differential mode 6kV, common mode 10kV
- Function selection:
 - Output current is adjusted by external potentiometer (A version only)
 - Isolated 3 in 1 dimming (p version only)
- Lifetime design: 5 years



Applications

Road lighting、 Industrial lighting、 Venue lighting
 Floodlight lighting、 Landscape lighting 、 Plant lighting



Model list

Model NO.	Input voltage	Output power	Output voltage	The default current	Eff.	T.H.D	PF
DL-50H-56A/P-MXC	200-277V 50/60Hz	50W	25-56Vdc	1.5A	≥89%	≤10%	≥0.95

Note :

1. Test conditions of the above parameters: Ta=25°C, 230Vac input, full load operation for 30 minutes;
2. When the input is less than 165±15Vac, the output power gradually decreases. When the input 165±15Vac, rated power 50W.
Please refer to "THE OUTPUT POWER VS INPUT VOLTAGE" curve chart for details.

Input characteristics

Parameter	Min	Typ.	Max	Note
Rated input voltage	200Vac	230Vac	277Vac	
Input voltage range	100Vac		305Vac	
Rated frequency	47Hz	50/60Hz	63Hz	
Power factor	0.95	-	-	@230Vac full load
T.H.D.	-	-	10%	@230Vac full load
Input current	-	-	0.3A	@200Vac full load
Inrush current	-	-	70A	230Vac, cold start (25°C)

Output characteristic

Parameter	Min	Typ.	Max	Note
Rated current DL-50H-56A/P-MXC	-	0.9A	-	
Output current range DL-50H-56A/P-MXC	0.4A	-	1.7A	
Output voltage range DL-50H-56A/P-MXC	25V	-	56V	
Rated power(100-180Vac)	-	25W	-	The derating begins when the input voltage is less than 165V+/-15VAC
Rated power(200-277Vac)	-	50W	-	
No-load voltage DL-50H-56A/P-MXC	-	-	75V	
Efficiency@200Vac DL-50H-56A/P-MXC	86%	89%	-	full load@200VAC

Output characteristic

Parameter	Min	Typ.	Max	Note
Efficiency@230Vac DL-50H-56A/P-MXC	88%	89%	-	full load@230Vac
Accuracy of output current	-5%	-	+5%	
Line regulation	-3%	-	+3%	
Load regulation	-3%	-	+3%	
Starting time	300ms	-	1000ms	Full load@200-277Vac

Note: The output current range is limited by the input and output voltage, please refer to "I-V WORKING AREA" for details.

Dimming characteristic

Dimming function		Min	Typ.	Max	Instructions
1-10V Dimming (Optional)	Safe applied voltage range	0V	-	12V	When the external voltage is $\geq 12V$, the dimming will fail
	Dimming output range	10%	-	100%	-
	Rated dimming voltage range	1V	-	10V	It can be set to negative dimming mode through program setting
PWM Dimming (Optional)	PWM high level	9.5V	-	10.5V	-
	PWM low level	0	-	0.3V	-
	PWM frequency band	300Hz	-	2000Hz	-
	PWM duty cycle	10%	-	99%	Output full power at 99% duty cycle
Resistor Dimming (Optional)	External resistance value	10K Ω	-	100K Ω	-
	Dimming output range	10%	-	100%	-

Note:

1. Output current of dimming port: 100uA (typical value);
2. The P version is 1-10V dimming (0V can be turned off). The maximum voltage of the dimming port is 12V. If the external power supply voltage exceeds 12V or the signal cable is inverted, the power supply will be damaged;
3. Dimming default setting is three in one positive logic dimming (programmable software can be set to timing dimming, 0-5V or other voltage dimming);
4. When set to positive logic dimming function, the 0V dimming is turned off, and the output voltage is $0.46 \cdot V_{omax}$ after the dimming is turned off. Be careful when using this function, but customers are advised to use 1-10V dimming.
5. When setting negative logic dimming, The default output when the light is suspended is 100%. Negative logic dimming cannot be turned off, When the voltage of the light dimmer port is greater than 10.5V, Maximum power output;

Protection

Function	Function instructions
Input under-voltage protection	When the input voltage is less than 165 ±15Vac, the output power gradually decreases.
Output overload protection	Protection mode:hiccup mode,recovers automatically after fault condition is removed.
Output short circuit protection	Hiccup mode:recovers automatically after fault condition is removed
Over temperature protection	Self-recovery type: when the housing temperature is greater than 90℃, the output power decreases gradually.
Output over-voltage protection	Protection mode: Hiccup mode or clamped in output highest voltage , the product is not damaged, LED driver works normally after fault condition is removed.

Note:

1. Unless otherwise specified, all specifications and parameters shall be measured at the conditions of 230Vac (50Hz), rated load and 25℃ of ambient temperature;
2. Including setting error, line regulation and load regulation.

Environmental

Environmental categories	Parameter
Working temperature	-40 ~ +55℃@200-277Vac.
Working humidity	-40 ~ 90℃
Storage temperature, humidity	-40~+80℃, 10 ~ 95% RH
Resistant to vibration	10 ~ 500Hz, 5G 12 min/cycle, X, Y, Z axis 72 min each
MTBF	230Khrs min. MIL-HDBK-217F (Ta=25℃)

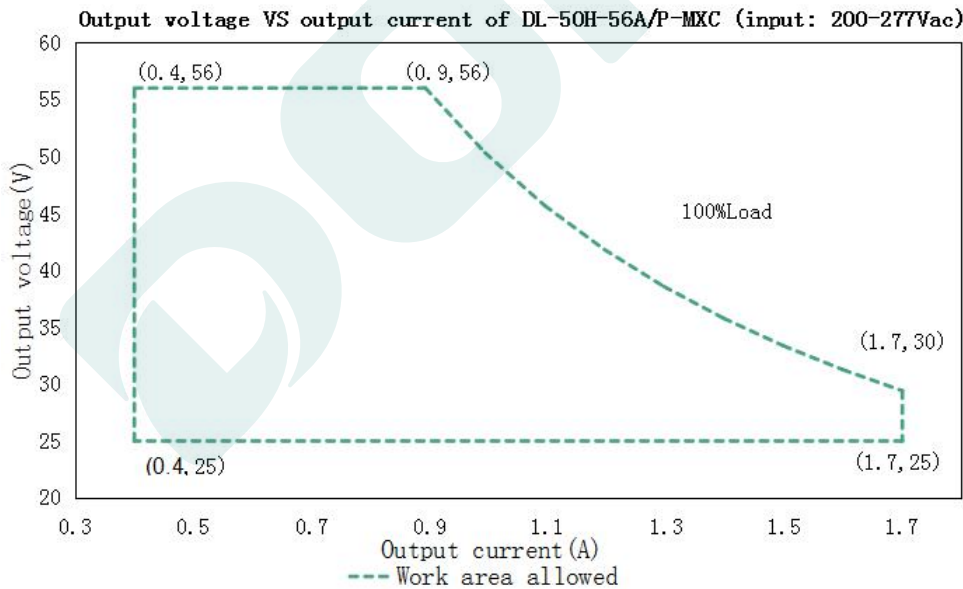
Safety and EMC

Safety categories	Standard
Safety	GB19510.1、GB19510.14、EN61347-1、EN61347-2-13、IEC61347-1、IEC61347-2-13、AS/NZS61347.1、AS61347.2.13 UL8750;
EMC	EN 55015、EN 61547、EN 61000-3-2、GB/T 17743、GB17625.1、EN 61000-3-3 FCC Part 15
Surge protection	Differential mode L-N $\pm 6KV$ (2 ohm) ,common mode L, N-PE $\pm 15 KV$ (12 ohm); Refer to IEC61000-4-5 2014 Criterion B
High-pot test	I/P-O/P:3.75KVac I/P-PE :1.5KVac O/P-PE : 0.5KVac I/P-DIM:1.5KVac O/P-DIM:1.5KVac
Insulation impedance	I/P-PE:100M Ω / 500VDC; I/P-O/P:100M Ω / 500VDC / 25 $^{\circ}C$ / 70% RH
Leakage current	<0.7mA@277Vac

Note:

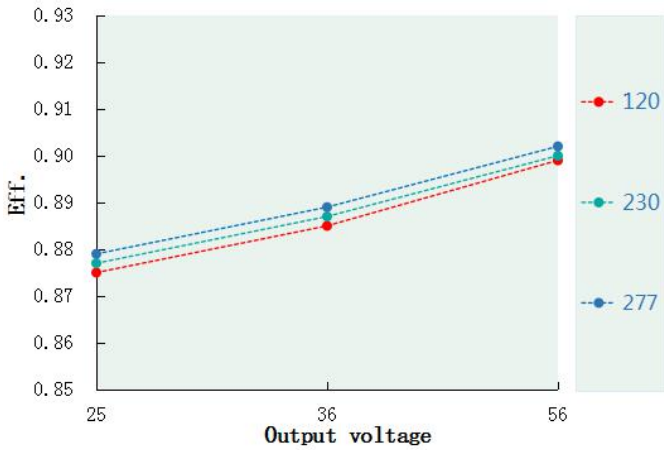
1.The driver is considered as a component that will be operated in combination with the final equipment. Since EMC performance will be affected by the complete installation,the final equipment manufacturers must re-qualify EMC Directive on the complete installation again.

I-V Working area

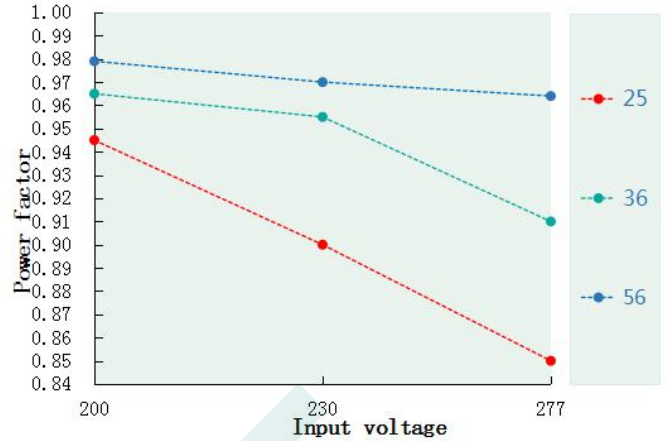


Load	Output								
Load working Voltage	25V	30V	33V	36V	40V	44V	48V	52V	56V
Io_MAX	1.7A	1.7A	1.51A	1.39A	1.25A	1.14A	1.04A	0.96A	0.9A
Po_MAX	42.5W	50W	50W	50W	50W	50W	50W	50W	50W

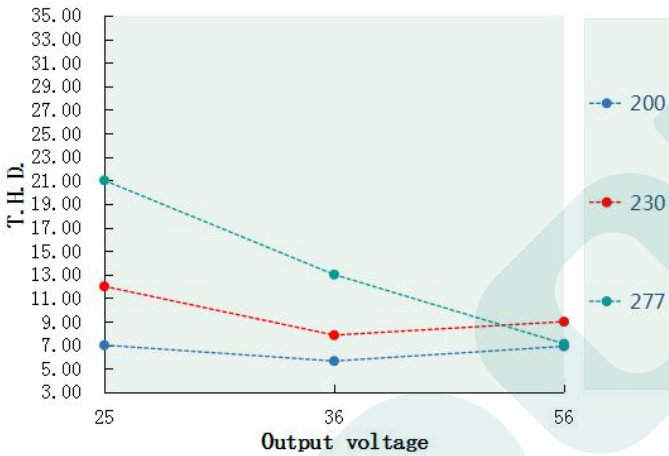
Eff. VS Output voltage(DL-50H-56A/P-MXC)



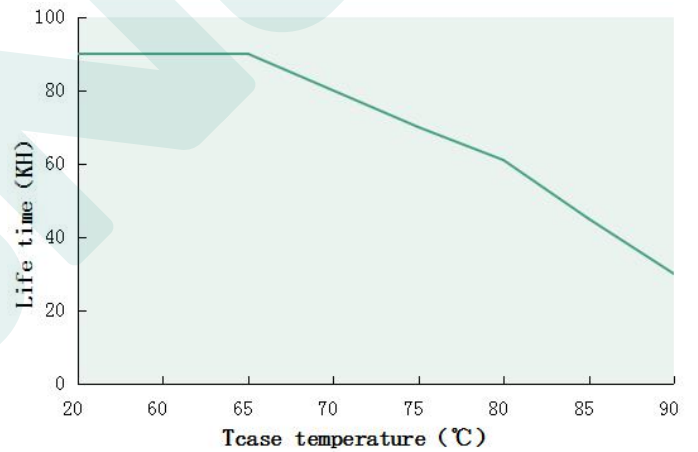
Power factor VS Input voltage((DL-50H-56A/P-MXC)



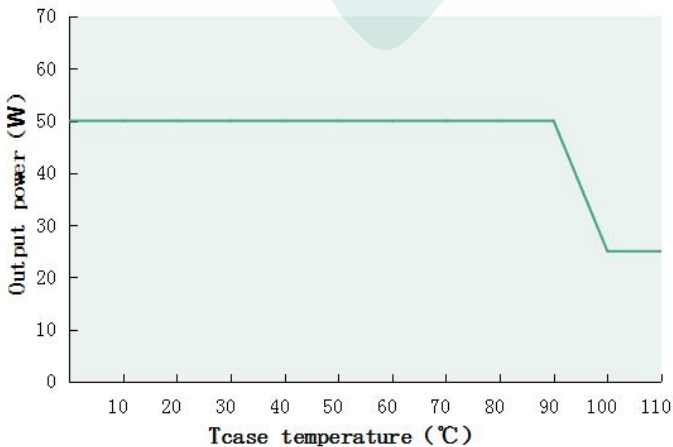
T.H.D. VS Output voltage(DL-50H-56A/P-MXC)



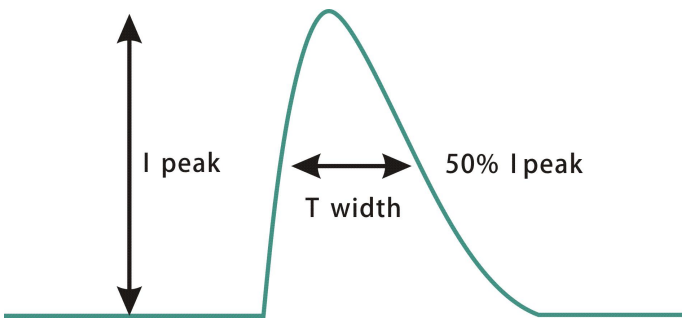
Tcase temperature VS Lifetime(DL-50H-MXC)



Output power VS Tcase temperature(DL-50H-MXC)

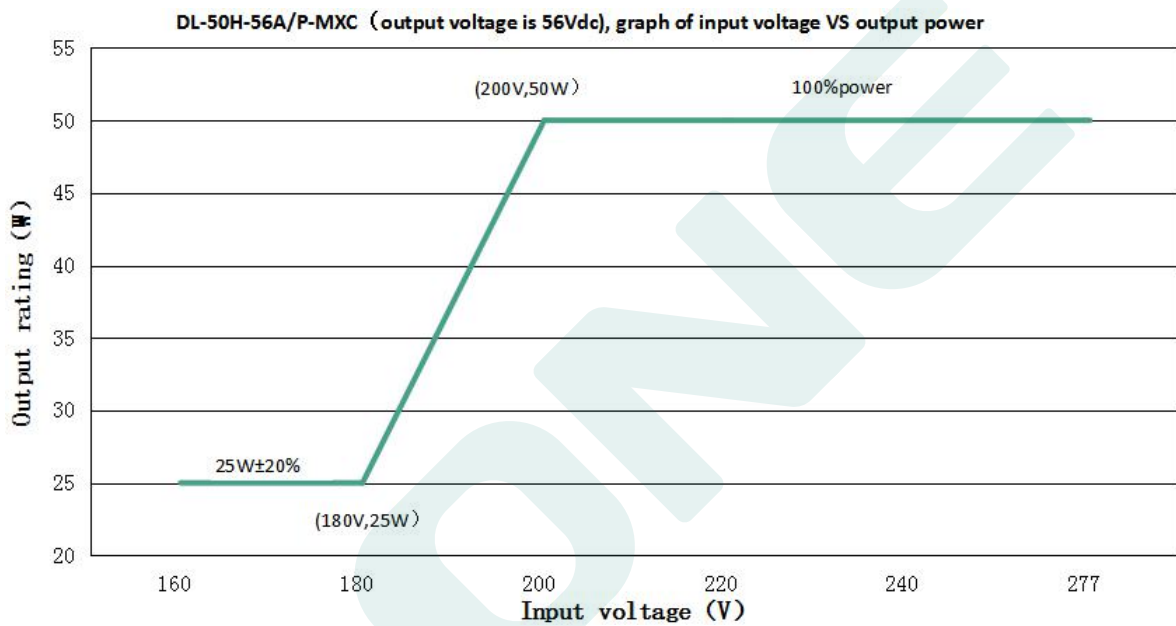


Inrush Current(DL-50H-MXC)



Input voltage	Peak current	T(@50% Peak current)
200Vac	40.5A	148us
230Vac	42A	172us
277Vac	50.6A	194us

Output power VS Input voltage



DL-50H-56A/P-MXC(When the output voltage is 56Vdc, the rated output current value and output power corresponding to different input voltage)

Input Voltage	160Vac	180Vac	200Vac	220Vac	230Vac	240Vac	277Vac
Iout	0.45A	0.45A	0.9A	0.9A	0.9A	0.9A	0.9A
Pout	25W	25W	50W	50W	50W	50W	50W

Note:

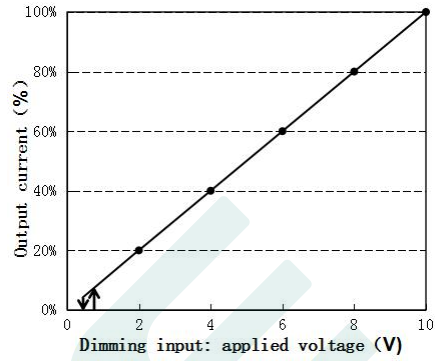
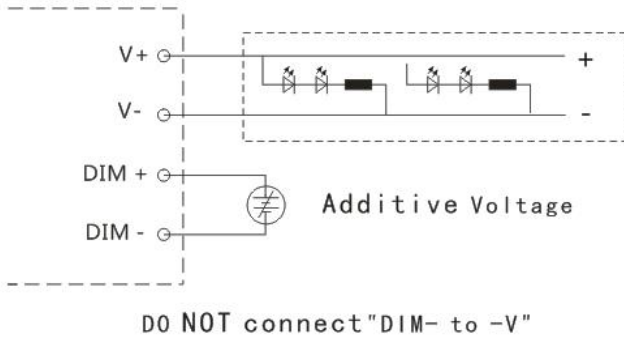
- 1.Input voltage will fluctuate,resistance error and other factors.At the decrease or increase of power (Vin=200Vac),it will move left and right,with the range of 200V±10% .
- 2.When the input voltage is 90-200Vac,the output power range is 25W±20%.

Dimming operation

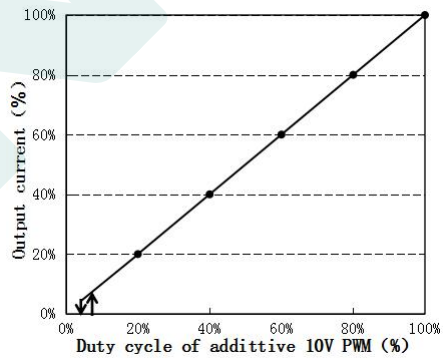
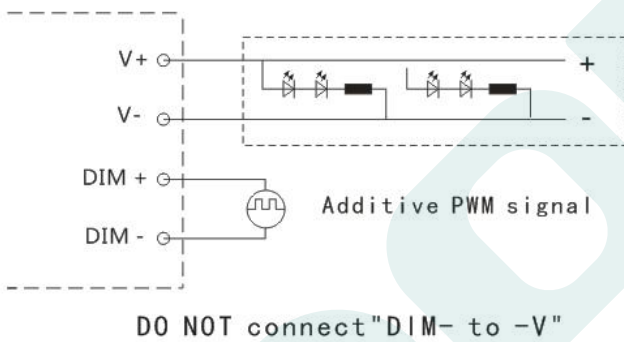
※ Three-in-one dimming function (P version only)

- A. connect a resistor 10K-100K or 1-10V DC voltage or 10V PWM signal between DIM+ and DIM- to adjust the output current.
- B. output current of dimming port: 100uA (typical value). (to be determined!)

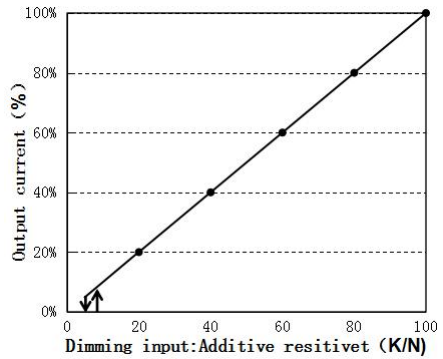
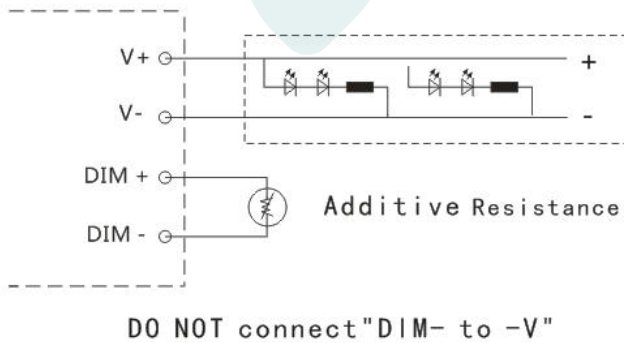
◎ With an applied voltage of 0-10V:



◎ Applying additive 10V PWM signal (Frequency range: 300Hz-2K Hz) :



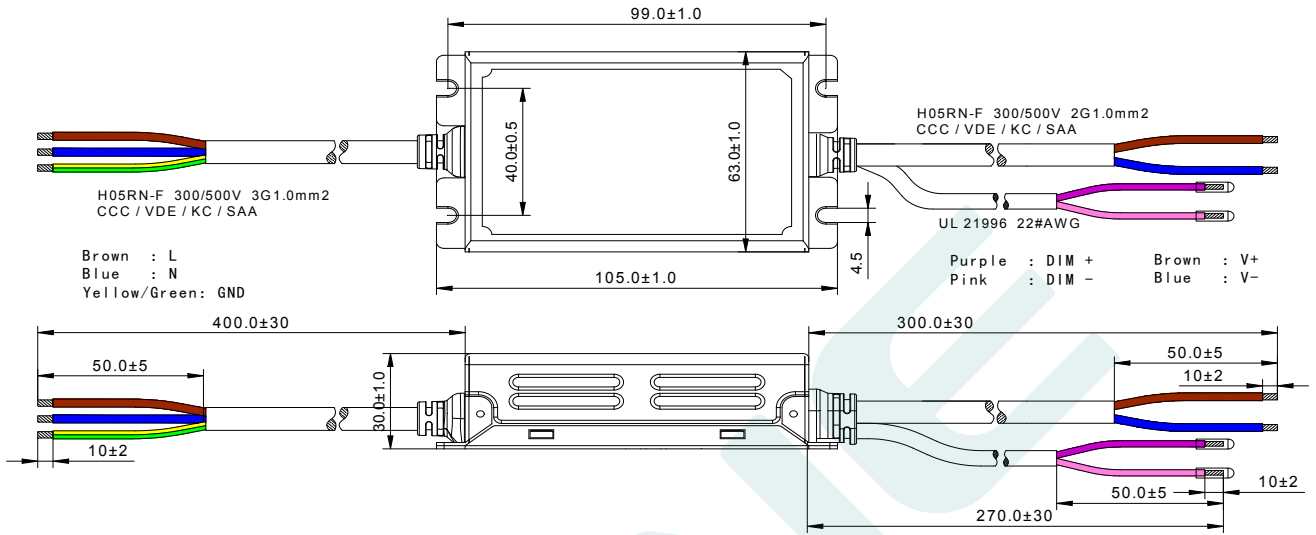
◎ With an additional 10K-100K resistor:



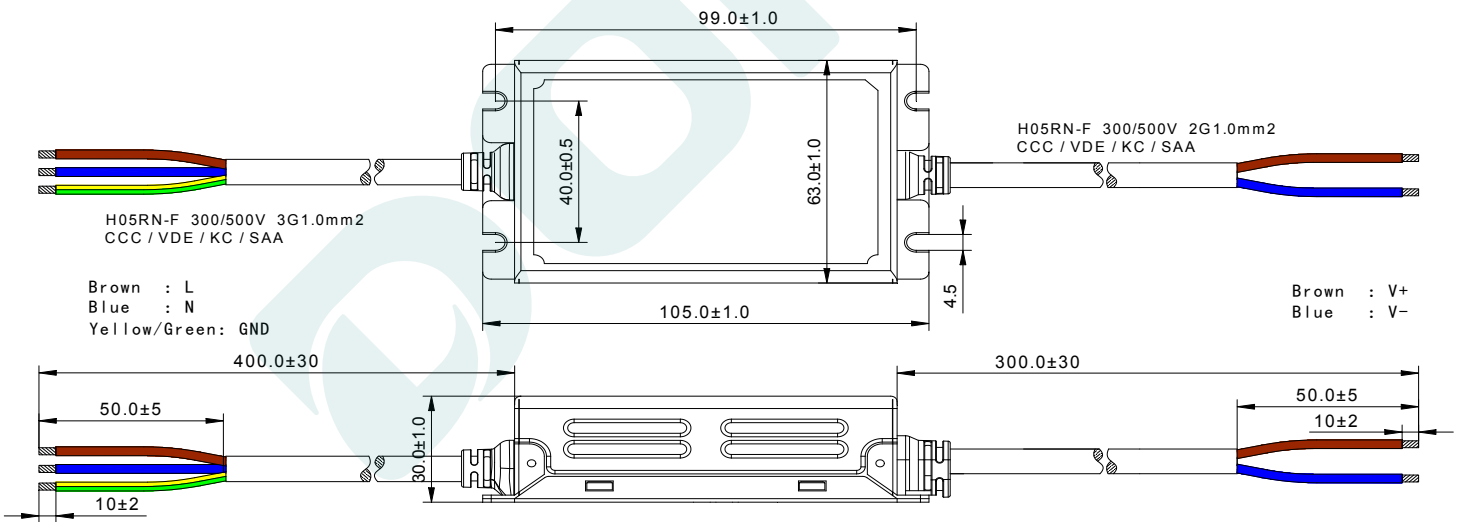
Mechanical specification

Size (mm) L105*W63*H30

DL-50H-56P-MXC



DL-50H-56A-MXC

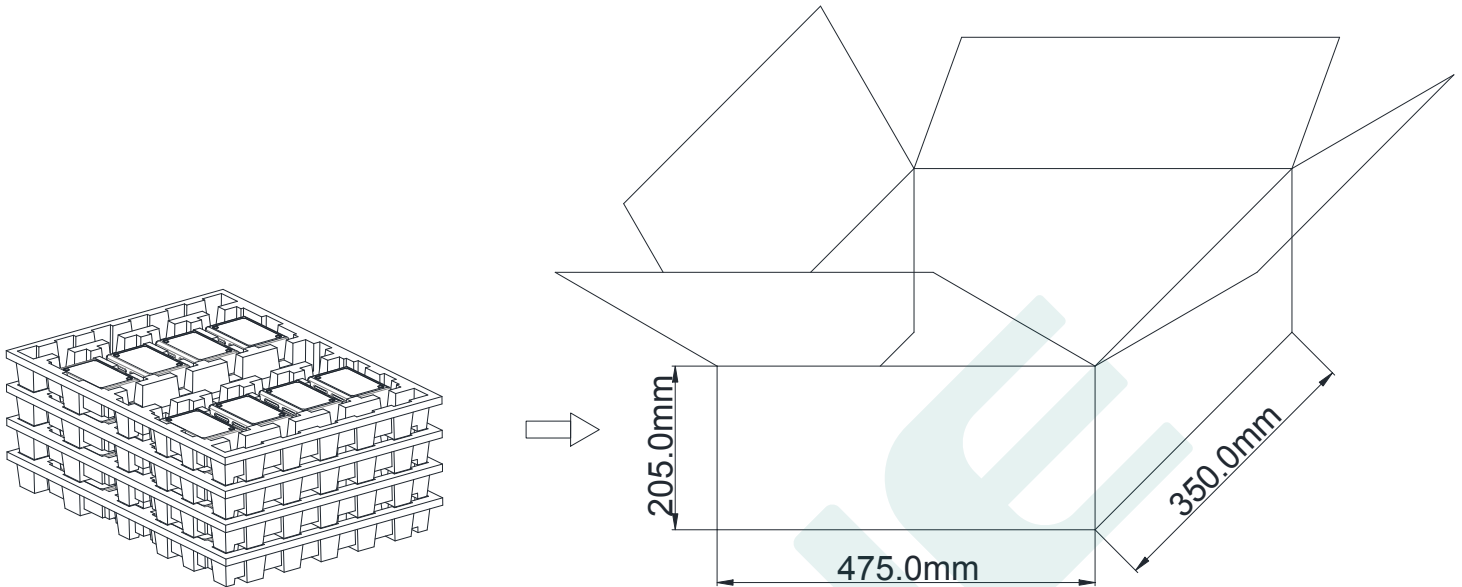


Weight

Weight 800 g

Packaging

Packaging (mm) L475*W350*H205



Note: One Carton 4 layers and 8 pcs each layer, total 32pcs/carton.

Note:

1. According to the certificate obtained by the LED DRIVER, the LED DRIVER with the English label is sold in Europe, America and India.
2. The LED DRIVER with Chinese label is only used for China market.

Version

DATE	DESCRIPTION	REV.	CHECK
2024.02.29	Initial version.	V1.0	

MANUFACTURER

EDIT

CHECK

APPROVE