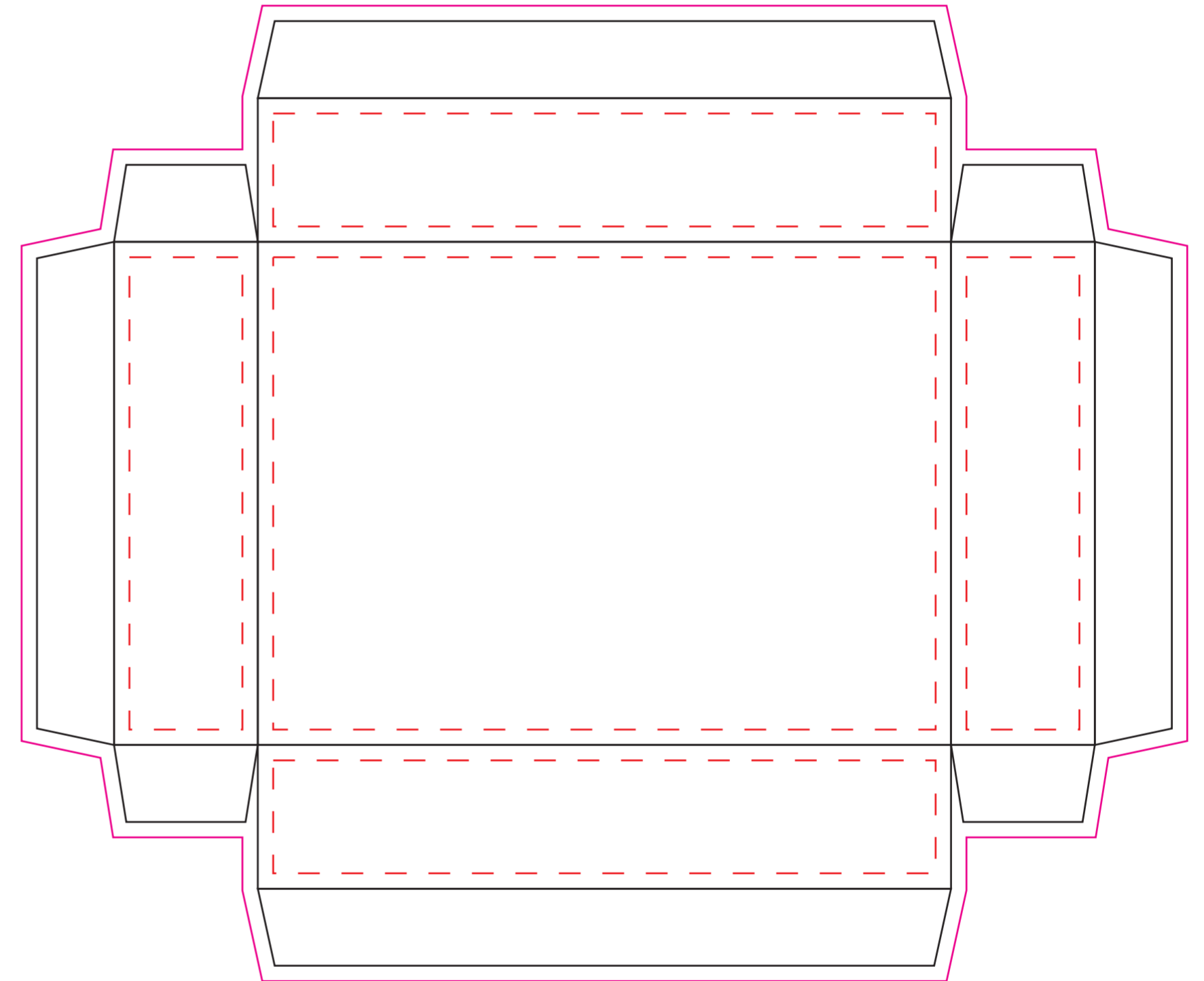
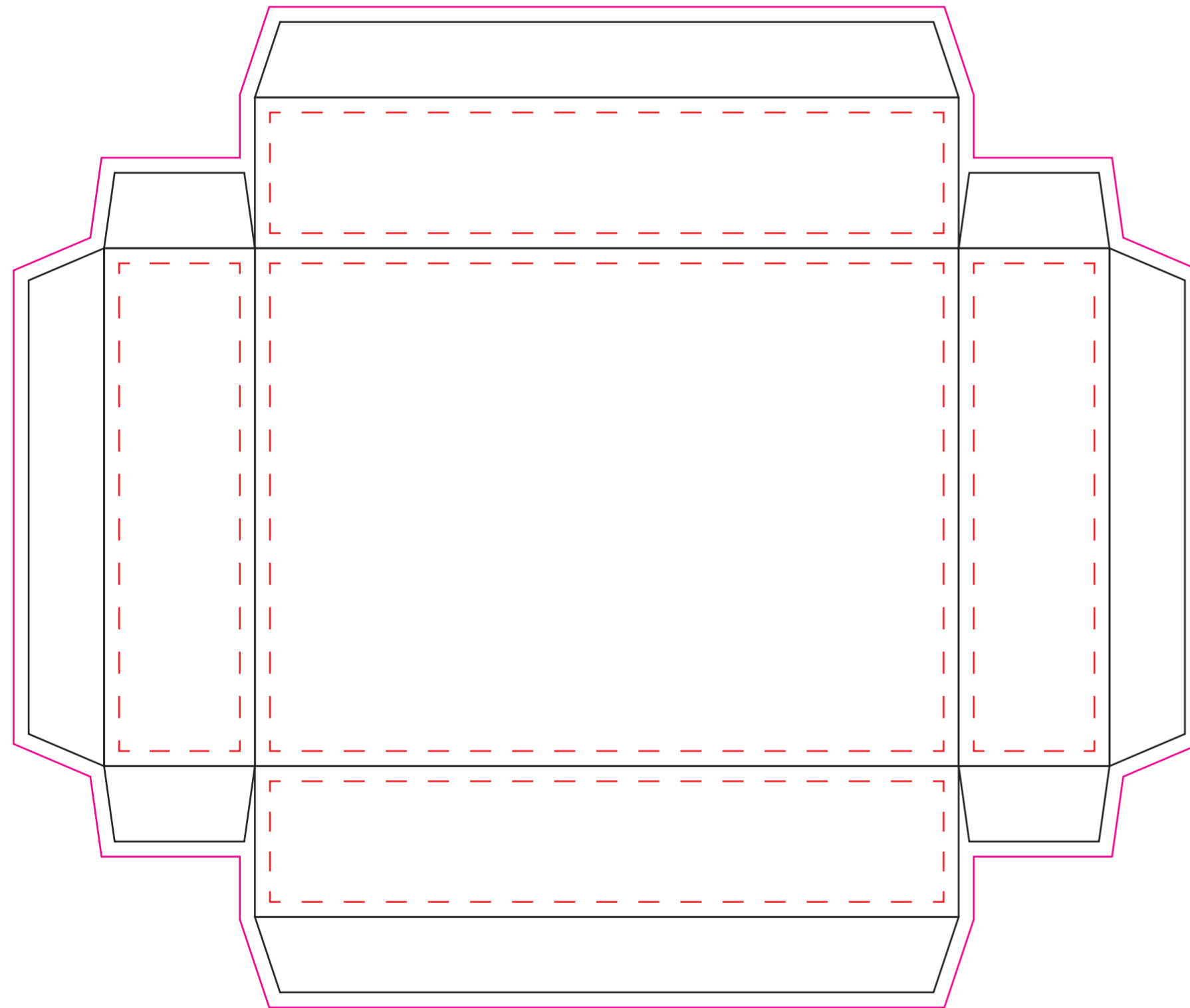




140 x 103 x 30 mm

Top

Bottom



- Bleeding line
- Cut line
- - - Margin