

应用场所 Application

- 广泛应用于海洋工程各类作业平台、各类化学品、天然气运输船、危险品码头等危险区域作停电时的应急照明之用；
- 可在潮湿、振动、腐蚀等恶劣环境中可靠工作；
- 适用于爆炸性危险环境1区、2区、21区、22区等场所。
- Widely used for emergency lighting on various marine platforms, chemical tankers, LNG ships and hazardous cargo wharfs, etc..
- Can reliably work in severe environment exposed in moisture, vibration or corrosion;
- Explosive hazardous atmosphere Zone 1, Zone 2, Zone 21, Zone 22.



灯体 Housing

- 优质海工铝合金，表面喷塑
- High quality maritime aluminum alloy, powder coated surface

电气 Electric

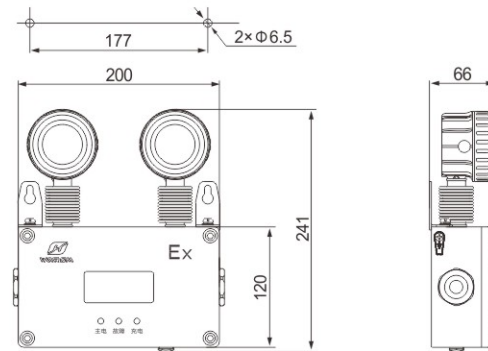
- 内置应急控制器及电池组
- In-built emergency controller and battery pack

透明罩 Transparent cover

- PC材质
- PC material

安装支架 Mounting frame

- 不锈钢
- Stainless steel



技术参数 Technical parameters

执行标准 Conformity to standards	IEC60079, EN60079, GB3836, GB12476, GB17945, CCS入级规范 (CCS standard)
防爆标志 Ex-Mark	Ex d e i b q IIC T6 Gb / Ex i b D t D A21 IP66 T80°C
额定电压 Rated voltage	220V/230V AC 50/60Hz
环境温度 Ambient temperature	-40°C~+55°C
额定功率 Rated power	3W × 2
应急时间 Emergency time	≥ 120min (特殊要求请注明 For any special request, please specify)
充电时间 Charging time	24h
光源类型 Lamp source	LED 模组 LED module
防护等级 Degree of protection	IP66
防腐等级 Corrosion-proof	WF2
电缆入口 Cable entries	2 × M25 × 1.5堵头(铝合金), 推荐配2 × M25 × 1.5格兰(黄铜镀镍) DQM-II/III Exe, 适用于Φ12.5~Φ20.5mm电缆 2×M25×1.5 plug (Aluminum alloy), 2×M25×1.5 gland (Nickel plated brass) DQM-II/III Exe is recommended, suitable for Φ12.5-Φ20.5mm cable
接线端子 Terminal	≤3 × 2.5mm ²
灯具重量 Light weight	2.4kg