

应用场所 Application

- 广泛应用于海洋工程各类作业平台、各类化学品、天然气运输船、危险品码头等危险区域作远距离泛光照明之用；
- 可在潮湿、振动、腐蚀等恶劣环境中可靠工作；
- 适用于爆炸性危险环境1区、2区、21区、22区等场所。
- Widely used for floodlight illumination on various marine platforms, chemical tankers, LNG ships and hazardous cargo wharfs, etc..
- Can reliably work in severe environment exposed in moisture, vibration or corrosion;
- Explosive hazardous atmosphere Zone 1, Zone 2, Zone 21, Zone 22.



灯体 Housing

- 优质海工铝合金，表面喷塑
- High quality maritime aluminum alloy, powder coated surface

透明罩 Transparent cover

- 钢化玻璃，抗4J冲击
- Toughened glass, stands 4J impact

电气 Electric

- 恒流恒压驱动电源，宽电压输入
- Constant current constant voltage drive power, wide voltage input

选配表 Selection table

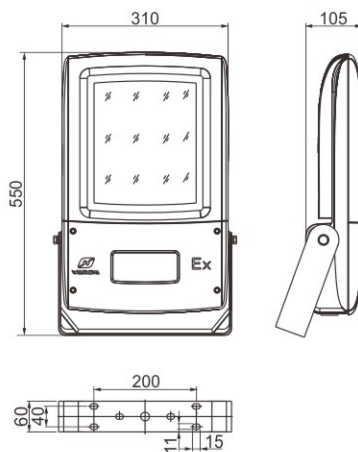
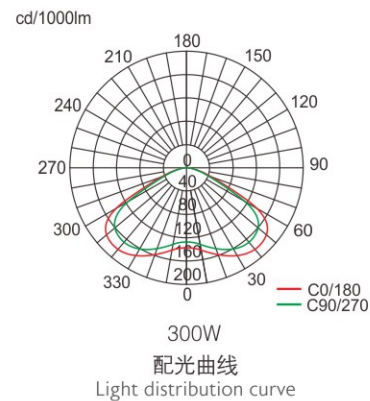
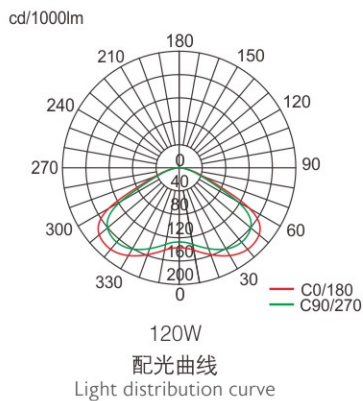
型号 Type	额定电压(V) Rated voltage	额定功率(W) Rated power	防爆标志 Ex-Mark	重量(kg) Weight
HRT92-50	220V/230V AC 50/60Hz	50W	Ex d e mb IIC T6 Gb/Ex tD A21 IP66 T80°C	10.4
HRT92-70		70W		
HRT92-100		100W		
HRT92-120		120W		
HRT92-160		160W	Ex d e mb IIC T5 Gb/Ex tD A21 IP66 T95°C	15.5
HRT92-200		200W		
HRT92-240		240W		
HRT92-300		300W		

- 灯具出厂时配防爆堵头，若用户需要防爆电缆夹紧固密封接头，请注明。
- The light fitting is supplied with Ex type stopping plug and Ex cable gland is on request.

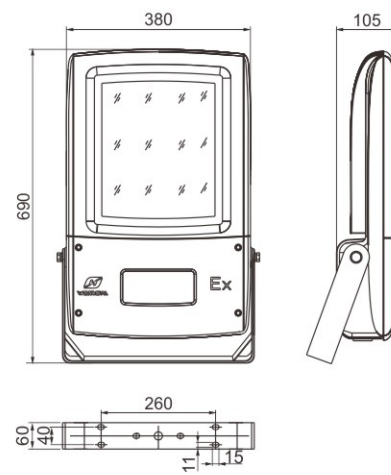
技术参数 Technical parameters

执行标准 Conformity to standards	IEC60079, EN60079, GB3836, GB12476, CCS入级规范 (CCS standard)
环境温度 Ambient temperature	-40°C~+55°C
光源类型 Light source	LED 模组 LED module
色温 Color temperature	5700K ± 250K
显色指数 Color rendering index	Ra ≥ 70
防护等级 Degree of protection	IP66
防腐等级 Corrosion-proof	WF2
电缆入口 Cable entries	2 × M25 × 1.5堵头(铝合金), 推荐配2 × M25 × 1.5格兰(黄铜镀镍) DQM-II/III Exe, 适用于Φ 12.5~Φ 20.5mm电缆 2×M25×1.5 plug (Aluminum alloy). 2×M25×1.5 gland (Nickel plated brass) DQM-II/III Exe is recommended, suitable for Φ 12.5-Φ 20.5mm cable
接线端子 Terminal	3 × 1.5~4mm ²

外形尺寸 Outline dimension



50W, 70W, 100W, 120W, 160W, 200W



240W, 300W