

FAT-L 系列防水防尘防腐泛光灯(B型)

Series Weatherproof Floodlights (Type B)



Waterproof



Dustproof



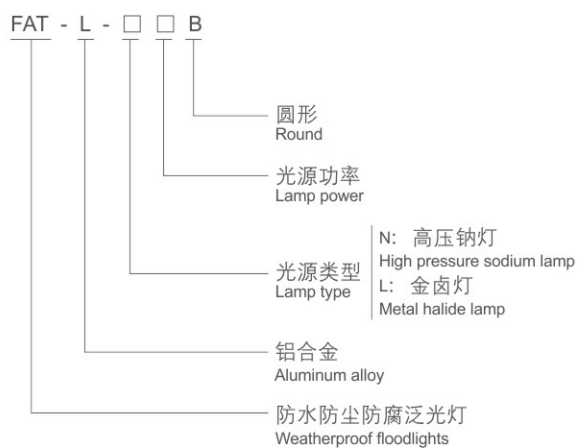
Corrosionproof

Weatherproof Light Fixings
防水防尘防腐灯具系列



GB IEC EN GOST

◆ 型号规格含义/Catalogue number logic

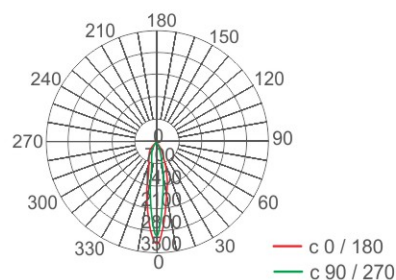


◆ 产品特点/Product features

- ◇ 铝合金压铸壳体，表面高压静电喷塑；
- ◇ 高功率因数， $\cos\Phi > 0.90$ ；
- ◇ 防腐等级：WF1、WF2(可选)。
- ◇ Die-casting aluminum alloy enclosure, high-voltage electrostatic powder coated surface.
- ◇ High power factor, $\cos\Phi \geq 0.90$.
- ◇ Corrosion-proof: WF1, WF2 (Optional).

◆ 配光曲线/Luminous intensity distribution

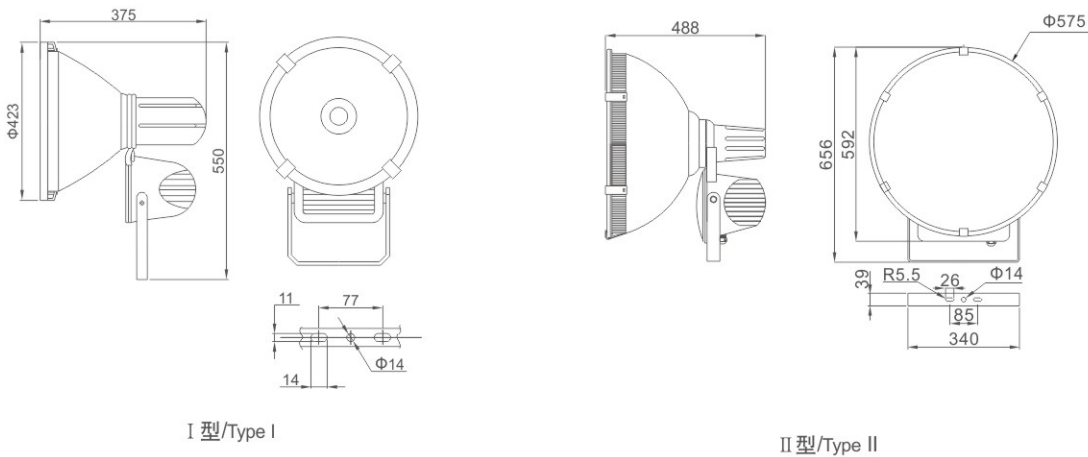
cd/1000lm



◆ 技术参数/Technical parameters

执行标准 Executive standards	中国GB标准 Chinese GB standards	国际IEC标准 / International IEC standards 欧盟EN标准 / European EN standards
额定电压 Rated voltage	220V AC 50Hz 60Hz (可选/Optional)	220V~240V AC 50Hz 60Hz (可选/Optional)
环境温度 Ambient temperature	-40℃~+55℃ (-60℃~+60℃可选/Optional)	
防护等级 Degree of protection	IP65	
引入装置 Cable gland	M20×1.5引入规格, 适合Φ6.5mm~Φ10mm电缆 M20×1.5 entry specification, suitable for cable of Φ6.5mm~Φ10mm	
光源功率 Lamp power	I型/Type I: N150W N250W N400W L250W L400W、 II型/Type II: N1000W L1000W	
灯具重量 Weight of Light fitting	I型: 8.5kg、 II型: 23kg	Type I: 8.5kg、 Type II: 23kg

◆ 外形尺寸/Outline dimension (mm)



I型/Type I

II型/Type II

◆ 订货须知/Ordering Information

- ◇ 注明执行标准、工作电压、环境温度；
- ◇ 按照产品型号规格说明逐条选择，例如：需金卤灯250W投光灯，则产品选型为FAT-L-L250B；
- ◇ ≤400W灯具出厂时不配光源，由用户自配，建议配置飞利浦欧司朗、亚明品牌；金卤灯250W、400W需配置欧标光源；
- ◇ 1000W灯具出厂时光源、镇流器已配；
- ◇ 1000W灯具不宜用于高杆灯等抗风要求高的地方。
- ◇ Specify the executive standard, working voltage, environment temperature.
- ◇ Follow the product catalogue number logic for selection. For example: 250W round metal halide lamp, the product type shall be FAT-L-L250B.
- ◇ The light source shall not be supplied for light fitting of 400W and less. Philips, Osram and Yaming Brands are recommended. European standard light source should be provided for 250W and 400W metal halide lamp.
- ◇ Light source and ballast already provided for 1000W light fitting.
- ◇ 1000W light fitting is not suitable to be used in areas where strong wind resistance capacity is required.