

# FAT-L 系列防水防尘防腐泛光灯(A型)

Series Weatherproof Floodlights (Type A)



Waterproof



Dustproof

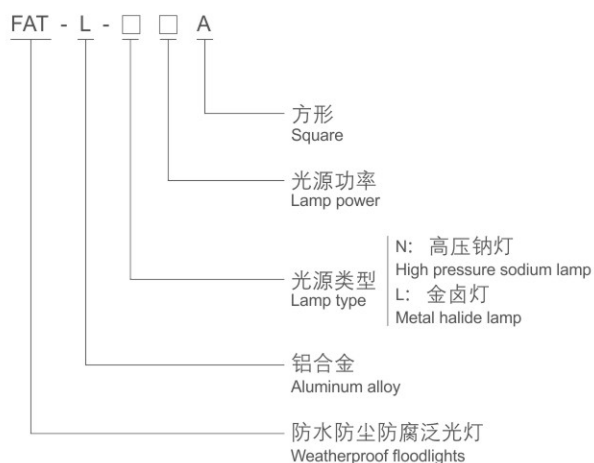


Corrosionproof

Weatherproof Light Fittings  
防水防尘防腐灯具系列



## ◆ 型号规格含义/Catalogue number logic

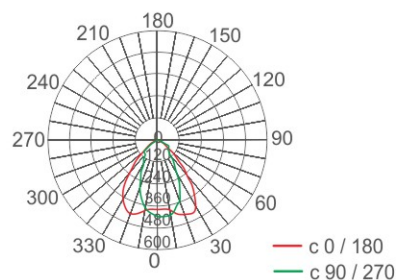


## ◆ 产品特点/Product features

- ◇ 铝合金压铸壳体，表面高压静电喷塑；
- ◇ 反光罩为桔纹反射罩，使光线更柔和；
- ◇ < 400W灯具与镇流器为一体式结构，1000W灯具与镇流器为分体式结构；
- ◇ 高功率因数， $\cos\Phi \geq 0.90$ ；
- ◇ 防腐等级：WF1、WF2(可选)。
- ◇ Die-casting aluminum alloy enclosure, high-voltage electrostatic powder coated surface.
- ◇ Orange peel reflector, with soft light.
- ◇ Lamp of 400W and less, and ballast are of integrated structure, but 1000W lamp and ballast are of split structure.
- ◇ High power factor,  $\cos\Phi \geq 0.90$ .
- ◇ Corrosion-proof: WF1, WF2 (Optional).

## ◆ 配光曲线/Luminous intensity distribution

cd/1000lm



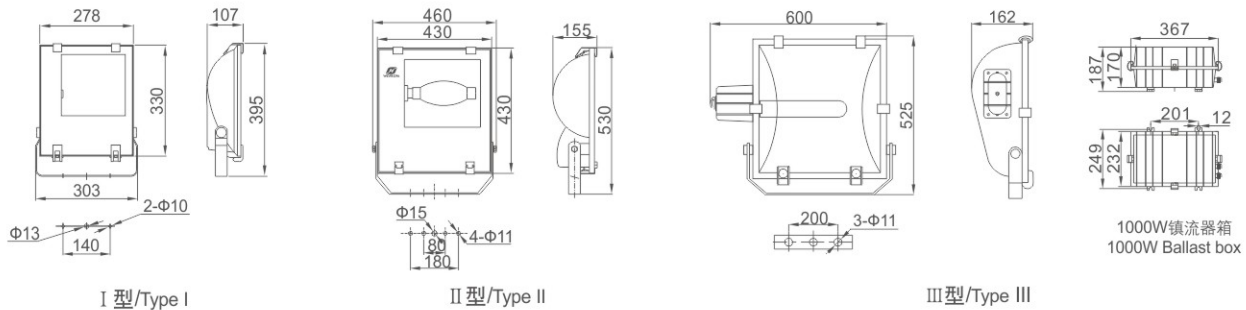


Weatherproof Light Fittings  
防水防尘防腐灯具系列

### ◆ 技术参数/Technical parameters

执行标准 Executive standards	中国GB标准 Chinese GB standards	国际IEC标准 / International IEC standards 欧盟EN标准 / European EN standards	
额定电压 Rated voltage	220V AC 50Hz 60Hz(可选/Optional)	220V~240V AC 50Hz 60Hz(可选/Optional)	
环境温度 Ambient temperature	-40℃~+55℃ (-60℃~+60℃可选/Optional)		
防护等级 Degree of protection	IP65		
引入装置 Cable gland	M20 × 1.5引入口规格, 适合Φ6.5mm~Φ10mm电缆 M20×1.5 Suitable for cable of Φ6.5mm~Φ10mm		
壳体类型 Enclosure type	I	II	III
光源功率 Lamp power	N70W N110(100)W L70W L100W L150W	N150W N250W L250W N400W L400W	N1000W L1000W
灯座规格 Lamp holder specification	E27	E40	E40
灯具重量 Weight of Light fitting	5kg	11.4kg	30kg(含镇流器) 30kg(Including ballast)

### ◆ 外形尺寸/Outline dimension (mm)



### ◆ 订货须知/Ordering Information

- ◇ 注明执行标准、工作电压、环境温度；
- ◇ 按照产品型号规格说明逐条选择，例如：需 II 型壳体，金卤灯250W泛光灯，则产品选型为 FAT-L-L250 A；
- ◇ ≤ 400W灯具出厂时不配光源，由用户自配，建议配置飞利浦欧司朗、亚明品牌；金卤灯250W、400W需配置欧标光源；
- ◇ 1000W灯具出时光源、镇流器已配。
- ◇ Specify the executive standard, working voltage, environment temperature.
- ◇ Follow the product catalogue number logic for selection. For example: type II enclosure floodlight, 250W metal halide lamp, the product type shall be FAT-L-L250 A.
- ◇ The light source shall not be supplied for light fitting of 400W and less. Philips, Osram and Yaming Brands are recommended. European standard light source should be provided for 250W and 400W metal halide lamp.
- ◇ Light source and ballast already provided for 1000W light fitting.