

FAD-T 系列防水防尘防腐工矿灯(B型)

Series Weatherproof Industrial Light Fittings (Type B)



Waterproof



Dustproof

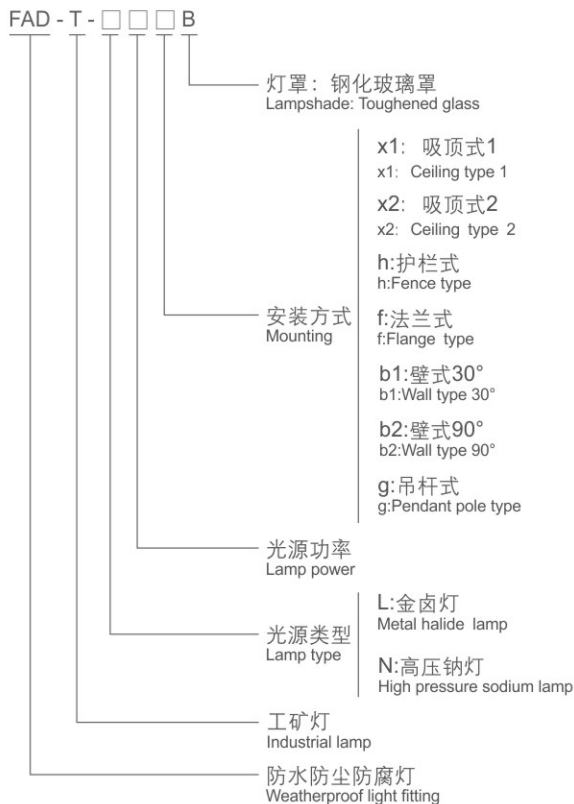


Corrosionproof

Weatherproof Light Fittings
防水防尘防腐灯具系列



◆ 型号规格含义/Catalogue number logic



◆ 产品特点/Product features

- ◇ 铝合金压铸壳体，表面高压静电喷塑；
- ◇ 钢化玻璃透明罩，棱晶防眩光设计；
- ◇ 镇流器、光源、内部附件与灯具一体式设计，使用安装方便；
- ◇ 防腐等级：WF1、WF2 (可选)。
- ◇ Die-casting aluminum alloy enclosure high-voltage electrostatic powder coated surface .
- ◇ Toughened glass transparent cover, prism and anti-glare design.
- ◇ The ballast, lamp, internal components and lamp are of integrated type, easy for mounting.
- ◇ Corrosion-proof: WF1, WF2 (Optional).

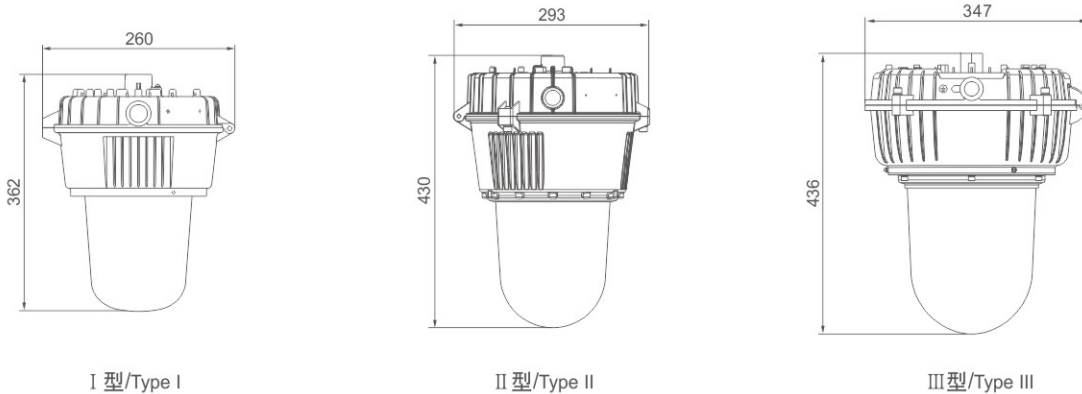


Weatherproof Light Fittings
防水防尘防腐灯具系列

◆ 产品规格/Product specifications

| 型号规格 Model Specifications | 高压钠灯(N) High pressure sodium lamp (N) | 金卤灯(L) Metal halide lamp (L) | 壳体类型 Enclosure type | 灯座规格 Lampholder specification | 重量 Weight |
|------------------------------|--|---------------------------------|------------------------|----------------------------------|--------------|
| FAD-T-□ B | 70W、110/100W | 70W、100W、150W | I | E27 | 5.6kg |
| FAD-T-□ B | 150W、250W | 250W | II | E40 | 8.5kg |
| FAD-T-□ B | 400W | 400W | III | E40 | 14.5kg |

◆ 外形尺寸/Outline dimension (mm)



◆ 订货须知/Ordering Information

- ◇ 注明执行标准、工作电压、环境温度；
- ◇ 按照产品型号规格说明逐条选择，例如：需要金卤灯70W吊杆式安装，钢化玻璃灯罩，则产品选型为FAD-T-L70g B；
- ◇ 本灯具出厂时不配光源，由用户自配，建议配置飞利浦、欧司朗、亚明品牌；中国标准、国际标准、欧盟标准产品金卤灯250W、400W需配置欧标光源；
- ◇ 本灯具常规出厂时不配灯伞，若需配置，请在订货时注明。
- ◇ Specify the executive standard, working voltage, environment temperature.
- ◇ Follow the product catalogue number logic for selection. For example:
70W metal halide lamp, pendant pole type, toughened glass lampshade, the product type shall be FAD-T-L70g B.
- ◇ Light fittings are supplied without light source. Philips, Osram and Yaming Brand are recommended. European standard light source should be provided for Chinese national standard and European standard 250W and 400W metal halide lamp.
- ◇ Light fittings are supplied without reflector, please specify if needed.

FAD-T 系列防水防尘防腐工矿灯(B型)

Series Weatherproof Industrial Light Fittings (B Type)



Waterproof



Dustproof



Corrosionproof

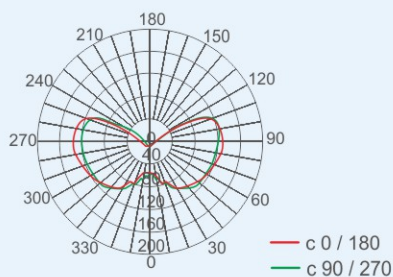
Weatherproof Light Fittings
防水防尘防腐灯具系列

技术参数/Technical Parameters

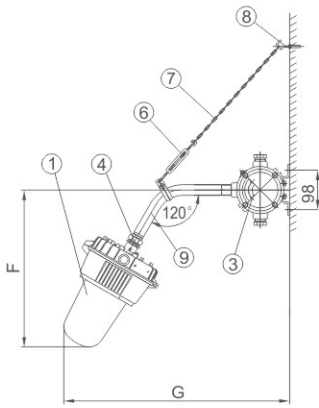


| 执行标准 / Executive standards | 中国GB标准 Chinese GB standards | 国际IEC标准 / International IEC standards 欧盟EN标准 / European EN standards |
|-----------------------------|--|---|
| 额定电压 / Rated voltage | 220V AC 50Hz 60Hz(可选/Optional) | 220V~240V AC 50Hz 60Hz(可选/Optional) |
| 环境温度 / Ambient temperature | -40℃~+55℃ (-60℃~+60℃可选/Optional) | |
| 防护等级 / Degree of protection | IP65/IP66(可选/Optional) | |
| 引入装置 / Cable gland | G3/4"引入规格, 适合Φ10mm~Φ14mm电缆 G3/4" entry specification, suitable for cable of Φ10mm~Φ14mm | |
| 接线端子 / Terminal | ≤ 2.5mm ² 导线可靠连接 / ≤ 2.5mm ² reliable wire connection | |
| 安装方式 / Mounting | 吸顶式1(x1)、吸顶式2(x2)、壁式30° (b1)、壁式90° (b2)、吊杆式(g)、护栏式(h)、法兰式(f) Ceiling type 1(x1), Ceiling type 2(x2), Wall type 30° (b1), Wall type 90° (b2), Pendant pole type(g), Fence type (h), Flange type(f) | |

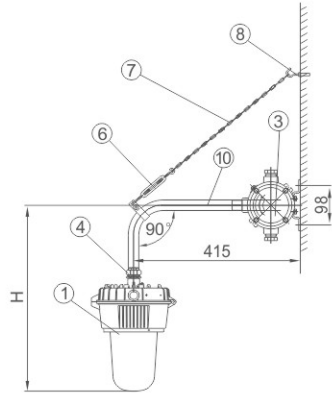
配光曲线 / Luminous intensity distribution
cd/1000lm



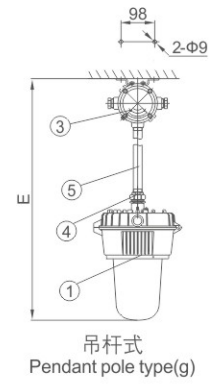
◆ 外形及安装举例/Outline and mounting type



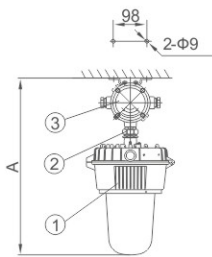
壁式/Wall type 30° (b1)



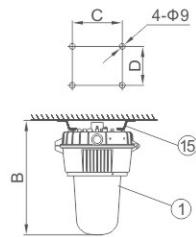
壁式/Wall type 90° (b2)



吊杆式
Pendant pole type(g)

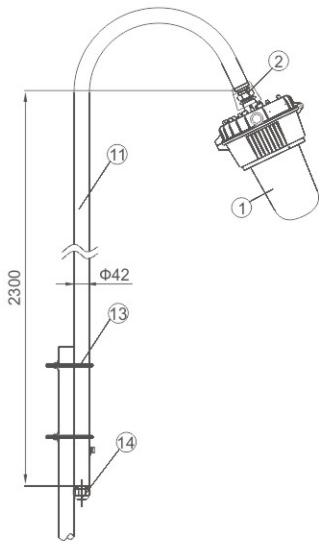


吸顶式1
Ceiling type 1(x1)

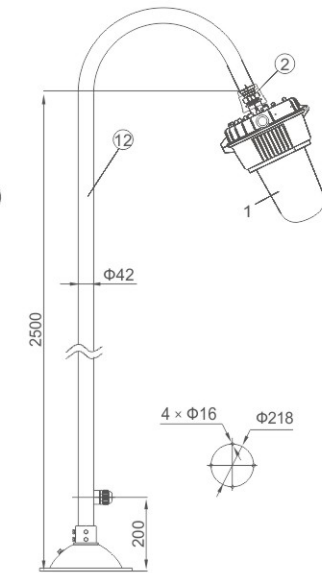


吸顶式2
Ceiling type 2(x2)

| 尺寸/Size 壳体 Enclosure | A | B | C | D | E | F | G | H |
|----------------------------|-----|-----|-----|-----|-----|-----|-----|-----|
| I 型/Type I | 510 | 367 | 251 | 65 | 780 | 297 | 724 | 562 |
| II 型/Type II | 605 | 435 | 279 | 65 | 875 | - | - | - |
| III 型/Type III | 615 | 441 | 233 | 232 | 885 | - | - | - |



护栏式/Flange type(h)



法兰式/Flange type(f)

| 序号 No. | 名称 Name | 备注 Remark |
|-----------|--|--------------------------|
| 1 | FAD-T防水防尘防腐工矿灯(B型) FAD-T Weatherproof industrial lamp (type B) | |
| 2 | 防腐活接头FHJ-G 3/4"(外)/G 3/4"(外) Weatherproof flexible connector FHJ- G3/4" (male) G3/4" (male) | |
| 3 | 防水防尘防腐接线盒FHD-G 3/4"K Weatherproof junction box FHD-G3/4"K | |
| 4 | 防腐活接头FHJ-G 3/4"(内)/G 3/4"(外) Weatherproof flexible connector FHJ- G3/4" (female) G3/4" (male) | 用户自备 Supplied by user |
| 5 | 直杆G 3/4" Straight pole G 3/4" | 300mm |
| 6 | CC型索具螺旋扣 CC type rigging spiral buckle | |
| 7 | 链条 Chain | 450mm |
| 8 | 膨胀螺钉 Expansion screw | |
| 9 | 30°弯杆G 3/4" 30° bend pole G3/4" | 300mm |
| 10 | 90°弯杆G 3/4" 90° bend pole G3/4" | 400mm |
| 11 | 护栏杆G1 1/4" Fence pole G1 1/4" | |
| 12 | 法兰杆G1 1/4" Flange pole G1 1/4" | |
| 13 | U型管夹 U type pipe clamps | 用户自备 Supplied by user |
| 14 | 三防密封接头FQM-I -G 3/4" Weatherproof cable gland FQM-I- G3/4" | |
| 15 | 安装架 Mounting frame | |



Weatherproof Light Fittings
防水防尘防腐灯具系列