

HRFG-E 系列LED油站灯

Series LED gas station lamp



Waterproof



Dustproof

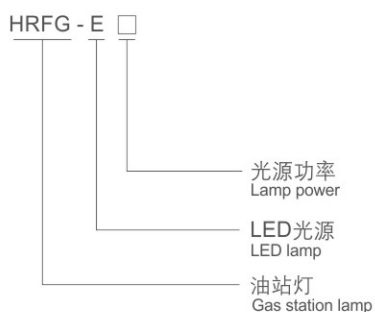


Corrosionproof

Weatherproof Light Fittings
防水 防尘 防腐 灯具系列



◆ 型号规格含义/Catalogue number logic



◆ 产品特点/Product features

- ◇ 高纯铝壳体，抗腐蚀能力强；
- ◇ 钢化玻璃透明罩，透光率高，抗冲击；
- ◇ 配置多颗国际品牌LED模块，合理排布，单向发光，光线均匀柔和，光效高，整灯光效 > 110lm/W，显色性高，寿命长，绿色环保；
- ◇ 特制的恒流恒压电源，宽电压输入，恒功率输出，具有恒流、开路保护、短路保护等功能；
- ◇ 高功率因数， $\cos\Phi \geq 0.95$ ；
- ◇ 防腐等级：WF1、WF2(可选)。
- ◇ High purity aluminum enclosure, strong corrosion resistance.
- ◇ Toughened glass transparent cover, high light transmittance, anti-impact.
- ◇ Equipped with many international brands of LED modules, reasonable arrangement, unidirectional lighting, even and soft light, high luminous efficiency, whole lamp lighting effect >110lm/W, high color rendering, long service life and environmental protection.
- ◇ Special constant current & constant voltage driving source, wide voltage input, constant power output, with constant current, open circuit protection, short circuit protection, etc.
- ◇ High power factor, $\cos\Phi \geq 0.95$
- ◇ Corrosion-proof: WF1,WF2 (Optional).

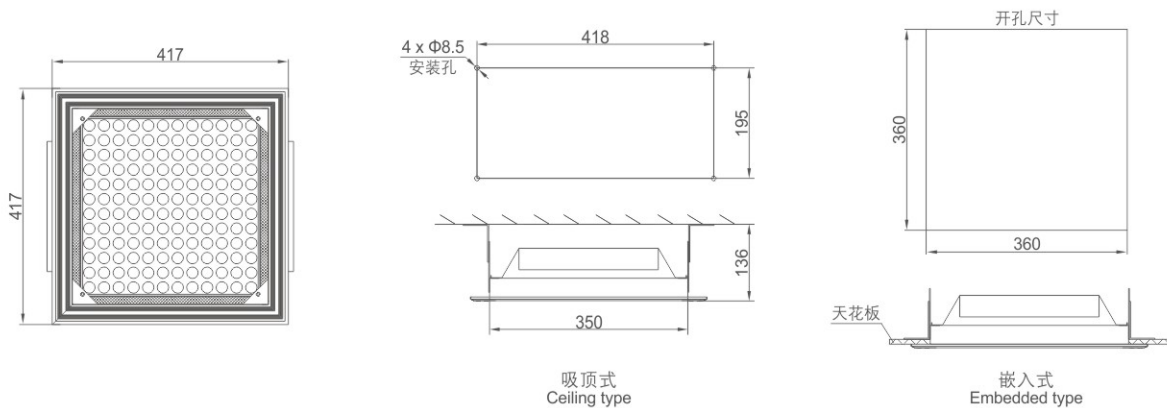


Weatherproof Light Fittings
防水防尘防腐灯具系列

◆ 技术参数/Technical parameters

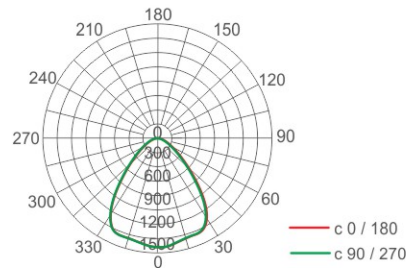
执行标准 / Executive standards	中国GB标准 Chinese GB standards	国际IEC标准 / 欧盟EN标准 / 北美标准 International IEC standards / European EN standards / American standards
额定电压 / Rated voltage	220V~240V AC 50Hz/60Hz	100V~277V AC 50Hz/60Hz
环境温度 / Ambient temperature	-40℃~+55℃ (-60℃~+60℃可选/Optional)	
防护等级 / Degree of protection	IP66	
色温 / Color temperature	5700K	
显色指数 / CRI	Ra ≥ 80	
光源功率 / Lamp power	100W	150W
灯具光通量 / Lamp luminous flux	> 11100lm	> 16500lm
重量 / Weight	8.5kg	
引入装置 / Cable gland	1 × G1/2" 引入规格, 适合Φ6mm~Φ10mm电缆 1 × G1/2" entry specification, suitable for cable of Φ6mm~Φ10mm	

◆ 外形及安装举例/Outline and mounting type (mm)



◆ 配光曲线/Luminous intensity distribution

cd/1000lm



◆ 订货须知/Ordering Information

- ◇ 注明执行标准、工作电压、环境温度；
- ◇ 按照产品型号规格说明逐条选择，例如：需要LED加油站灯100W，则产品选型为HRFG-E100；
- ◇ 本灯具出厂时光源已配。
- ◇ Specify the executive standard, working voltage, environment temperature.
- ◇ Follow the product catalogue number logic for selection. For example, if 100W LED gas station lamp are needed, HRFG-E100 is selected as the product type.
- ◇ The light fittings are supplied with light source when delivery.