

## 应用场所 Application

- 广泛应用于海洋工程各类作业平台、各类化学品、天然气运输船、危险品码头等危险区域工作及场景照明之用；
- 可在潮湿、振动、腐蚀等恶劣环境中可靠工作；
- 适用于爆炸性危险环境1区、2区、21区、22区等场所。
- Widely used for the illumination on various marine platforms, chemical tankers, LNG ships and hazardous cargo wharfs, etc..
- Can reliably work in severe environment exposed in moisture, vibration or corrosion;
- Explosive hazardous atmosphere Zone 1, Zone 2, Zone 21, Zone 22.



## 灯体 Housing

- 镀锌钢或不锈钢，表面喷塑
- Galvanized steel or Stainless steel, powder coated surface

## 电气 Electric

- 恒流恒压驱动电源，宽电压输入
- Constant current constant voltage drive power, wide voltage input

## 透明罩 Transparent cover

- 聚碳酸酯，抗4J冲击
- Polycarbonate, stands 4J impact

## 带应急参数(J) Data for light with emergency function

- 单管应急，应急时间≥120min
- Single tube emergency, emergency lighting time ≥120 min

## 选配表 Selection table

型号 Type	额定电压(V) Rated voltage	额定功率(W) Rated power	防爆标志 Ex-Mark			重量(kg) Weight
			GB	IECEX	ATEX	
HRY51-G/P LED9×2	170V~264V AC 50/60Hz	9W×2	Ex d e IIC T6 Gb Ex tD A21 IP66 T80°C	Ex db eb IIC T6 Gb Ex tb IIIC T80°C Db IP66	Ex II2 G Ex db eb IIC T6 Gb Ex II2 D Ex tb IIIC T80°C Db IP66	7.2
HRY51-G/P LED18×2		18W×2				11.2
HRY51-G/P LED14×2	100V~277V AC 50/60Hz 200V~250V DC	14W×2	Ex d e q IIC T6 Gb Ex tD A21 IP66 T80°C	Ex db eb q IIC T6 Gb Ex tb IIIC T80°C Db IP66	Ex II2 G Ex db eb q IIC T6 Gb Ex II2 D Ex tb IIIC T80°C Db IP66	8.5
HRY51-G/P LED28×2		28W×2				12.5
HRY51-G/P LED14×2J		14W×2				8.8
HRY51-G/P LED28×2J		28W×2				12.8

- 灯具出厂时配防爆堵头，若用户需要防爆电缆夹紧密封接头，请注明。
- The light fitting is supplied with Ex type stopping plug and Ex cable gland is on request.

## 防爆标志选配表 Ex-Mark Selection table

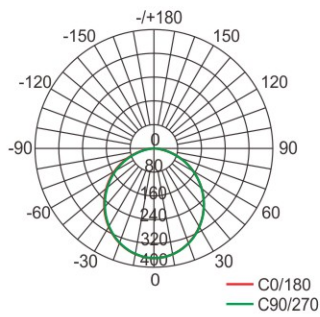
额定功率(W) Rated power	温度组别 Temperature classification	
	-40°C ≤ Ta ≤ +45°C	-40°C ≤ Ta ≤ +55°C
	气体 Gas	气体 Gas
28×2J	T6	T5

## 技术参数 Technical parameters

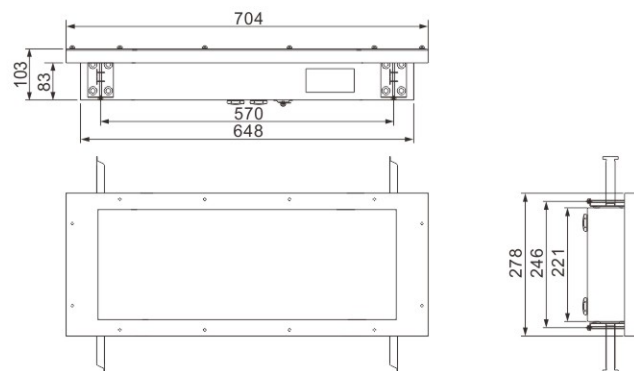
执行标准 Conformity to standards	IEC60079, EN60079, GB3836, GB12476, CCS入级规范 (CCS standard)
环境温度 Ambient temperature	-40°C~+55°C
光源类型 Light source	防爆LED灯管 Explosion-proof LED tube
色温 Color temperature	5000K ± 250K (3000K、4000K可选 Optional)
显色指数 Color rendering index	Ra ≥ 80
防护等级 Degree of protection	IP66
防腐等级 Corrosion-proof	WF2
电缆引入口 Cable entries	4 × Φ 25.5孔, 配4 × M25 × 1.5堵头(黄铜镀镍), 两端或底部可选, 推荐配2 × M25 × 1.5格兰(黄铜镀镍) DQM-II/III Exe, 适用于Φ 12.5~Φ 20.5mm电缆 4 × Φ 25.5 hole, with 4 × M25 × 1.5 plug (Nickel plated brass). Optional at both ends or bottom, 2 × M25 × 1.5 gland (Nickel plated brass) DQM-II/III Exe is recommended, suitable for Φ 12.5-Φ 20.5mm cable
接线端子 Terminal	3 × 1.5~4mm <sup>2</sup>

## 外形尺寸 Outline dimension

cd/1000lm

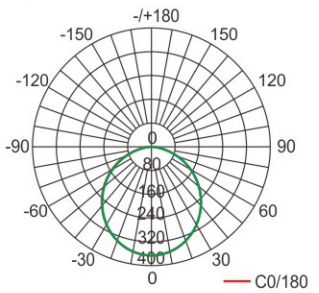


配光曲线  
Light distribution curve

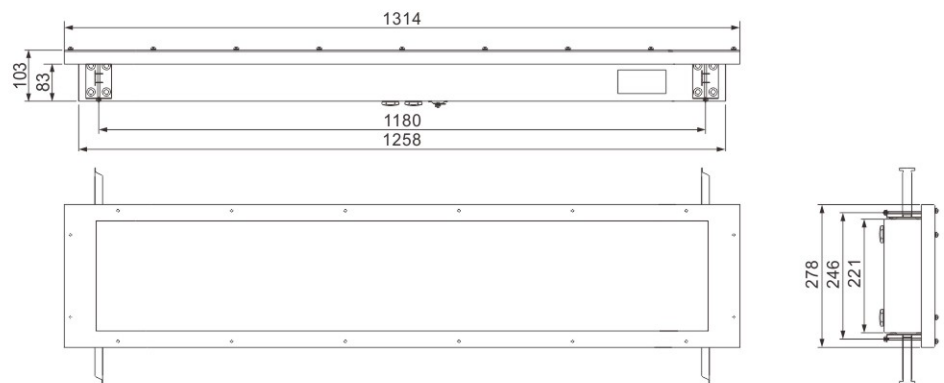


9W × 2、14W × 2

cd/1000lm



配光曲线  
Light distribution curve



18W × 2、28W × 2