

HRFT-E 系列防水防尘防腐LED泛光灯(A型)

Series Weatherproof LED Floodlights (Type A)



Waterproof

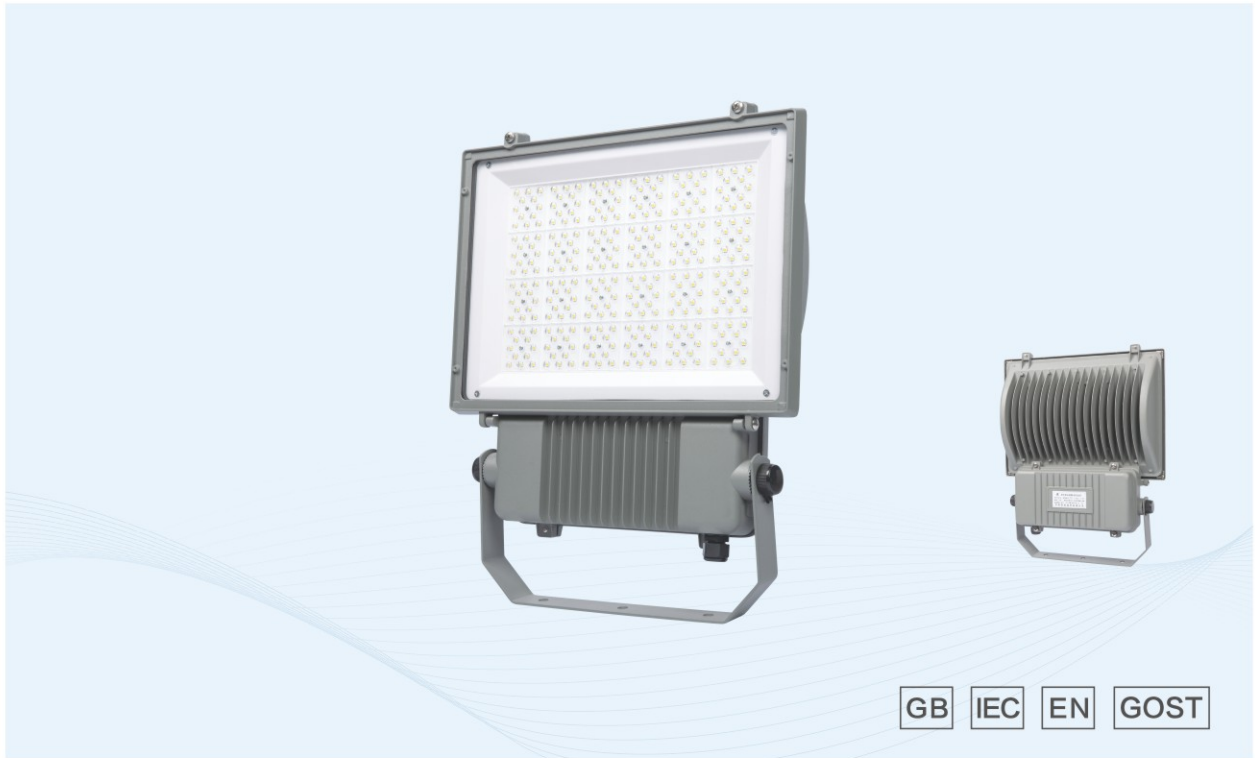


Dustproof

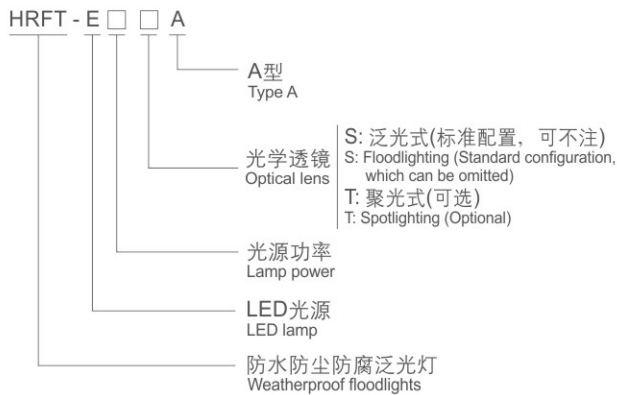


Corrosionproof

Weatherproof Light Fittings
防水防尘防腐灯具系列



◆ 型号规格含义/Catalogue number logic



◆ 产品特点/Product features

- ◇ 铝合金压铸壳体, 表面高压静电喷塑;
- ◇ 钢化玻璃透明罩, 透光率高, 抗冲击;
- ◇ 全系列配置宽、极窄2种光学透镜可选, 全面覆盖各种场所应用;
- ◇ 专利的隔热技术, 有效隔离热传导, 保证产品可靠工作;
- ◇ 配置多颗国际品牌LED模块, 合理排布, 单向发光, 光线均匀柔和, 光效高, 整灯光效 > 110lm/W, 显色性高, 寿命长, 绿色环保;
- ◇ 特制的恒流恒压电源, 宽电压输入, 恒功率输出, 具有恒流、开路保护、短路保护等功能;
- ◇ 高功率因数, $\cos\Phi \geq 0.95$;
- ◇ 防腐等级: WF1、WF2(可选)。
- ◇ Die-casting aluminum alloy enclosure, high-voltage electrostatic powder coated surface.
- ◇ Toughened glass transparent cover, high light transmittance, anti-impact.
- ◇ All series are equipped with wide and extremely narrow two kinds of lens for option, full cover all kinds of places application.
- ◇ Patented heat insulation technology, effectively isolating the heat conduction and keeping the product reliably work.
- ◇ Equipped with many international brands of LED modules, reasonable arrangement, unidirectional lighting, even and soft light, high luminous efficiency, whole lamp lighting effect > 110lm/W, high color rendering, long service life and environmental protection.
- ◇ Special constant current & constant voltage driving source, wide voltage input, constant power output, with fconstant current, open circuit protection, short circuit protection, etc.
- ◇ High power factor, $\cos\Phi \geq 0.95$
- ◇ Corrosion-proof: WF1, WF2 (Optional).

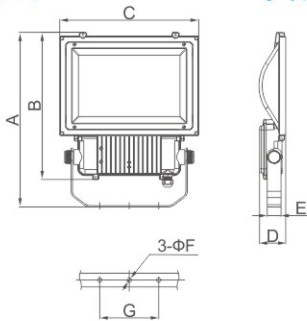


Weatherproof Light Fittings
防水防尘防腐灯具系列

◆ 技术参数/Technical parameters

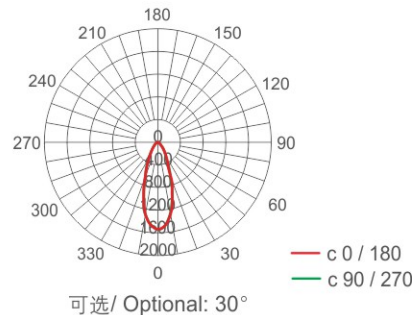
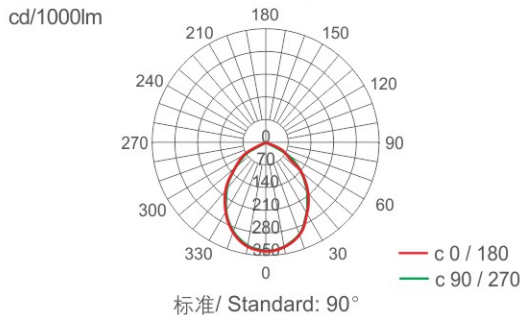
执行标准 / Executive standards	中国GB标准 Chinese GB standards	国际IEC标准 / 欧盟EN标准 / 北美标准 International IEC standards / European EN standards / American standards									
额定电压 / Rated voltage	220V~240V AC 50Hz/60Hz	100V~277V AC 50Hz/60Hz									
环境温度 / Ambient temperature	-40℃~+55℃ (-60℃~+60℃可选/Optional)										
防护等级 / Degree of protection	IP66										
色温 / Color temperature	5700K										
显色指数 / CRI	Ra ≥ 80										
壳体类型 / Enclosure type	I	II	III	IV	V	VI					
光源功率 / Lamp power	50W	80W	100W	120W	150W	200W	240W	300W	360W	400W	500W
灯具光通量 / Lamp luminous flux	>6500lm	>10500lm	>13000lm	>14000lm	>19000lm	>27000lm	>31000lm	>38000lm	>44000lm	>50000lm	>63000lm
重量 / Weight	2.2kg	3.8kg	3.8kg	4.8kg	4.8kg	6.8kg	6.8kg	11.0kg	11.0kg	11.0kg	15.5kg
引入装置 / Cable gland	50W、80W、100W:M16×1.5引入规格, 适合Φ5mm~Φ8mm电缆 50W、80W、100W:M16×1.5 entry specification, suitable for cable of Φ5mm~Φ8mm 120W、150W、200W、240W、300W、360W、400W、500W:M20×1.5引入规格, 适合Φ6mm~Φ12mm电缆 120W、150W、200W、240W、300W、360W、400W、500W:M20×1.5 entry specification, suitable for cable of Φ6mm~Φ12mm										

◆ 外形及安装举例/Outline and mounting type (mm)



尺寸 / 壳体	A	B	C	D	E	F	G
I型/Type I	291	254	230	58	25	11	100
II型/Type II	381	335	312	62	30	11	130
III型/Type III	444	374	353	66	35	11	150
IV型/Type IV	515	435	420	87	37	11	200
V型/Type V	560	486	458	97	38	10.5	200
VI型/Type VI	630	560	510	108	42	11	200

◆ 配光曲线/Luminous intensity distribution



◆ 订货须知/Ordering Information

- ◇ 注明执行标准、工作电压、环境温度;
- ◇ 按照产品型号规格说明逐条选择, 例如: 需要泛光式照明200W LED灯具, 则产品选型为HRFT-E200 A, 如需要聚光式照明200W LED灯具, 则产品选型为HRFT-E200T A;
- ◇ 本灯具出厂时光源已配;
- ◇ 常规产品配光分布为泛光照明效果, 可根据用户需求实现聚光照明效果, 下单时请注明。
- ◇ Specify the executive standard, working voltage, environment temperature.
- ◇ Follow the product catalogue number logic for selection. For example, if 200W floodlight LED lamps are needed, HRFT-E200 A is selected as the product type; if 200W spotlight LED lamps are needed, HRFT-E200T A is selected as the product type.
- ◇ The light fittings are supplied with light source when delivery.
- ◇ Conventional product grading distribution is floodlighting effect, can realize spotlighting effect according to user's requirements, please specify when ordering.