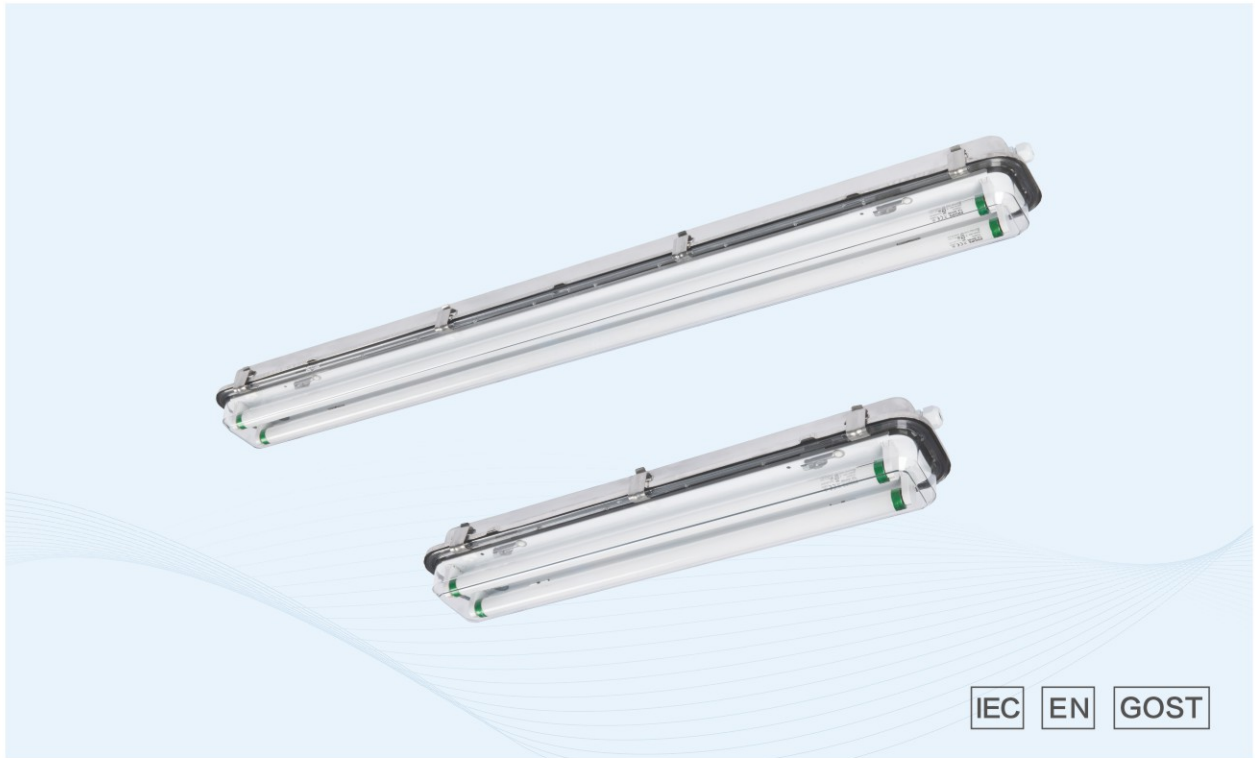


# HRFY-G 系列防水防尘防腐不锈钢荧光灯

## Series Weatherproof Stainless Steel Light Fittings for Fluorescent Lamp

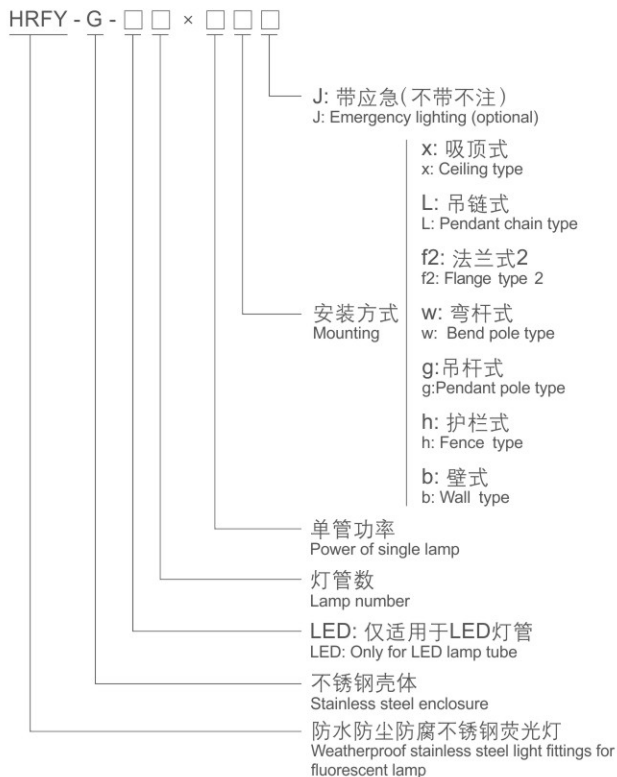


Weatherproof Light Fittings  
防水 防尘 防腐 灯具 系列



IEC EN GOST

### ◆ 型号规格含义/Catalogue number logic



### ◆ 产品特点/Product features

- ◇ 外壳采用优质不锈钢拉伸成型，具有较强的抗冲击能力；
- ◇ PC透明罩，透光率高，抗冲击；
- ◇ 密封性能好，多点卡扣扣合，开闭方便，便于维修；
- ◇ 壳体II (T8/36W, LED18W)可根据要求配备应急装置，作为应急事故照明用，应急时间不小于90分钟；
- ◇ 常规装荧光灯管，可选装LED灯管；
- ◇ 防腐等级：WF2。
- ◇ Enclosure is stretching formed of high quality stainless steel, with strong impact resistance performance.
- ◇ PC transparent cover, high light transmittance, anti-impact.
- ◇ Good sealing performance, multi-point dip locking, convenience for opening and closing, easy for maintenance.
- ◇ Emergency devices can be equipped in enclosure II (T8/36W, LED18W) on request for emergency lighting, emergency time is not less than 90 minutes.
- ◇ General light fittings equip with fluorescent lamp tube, can choose LED lamp tube.
- ◇ Corrosion-proof: WF2.



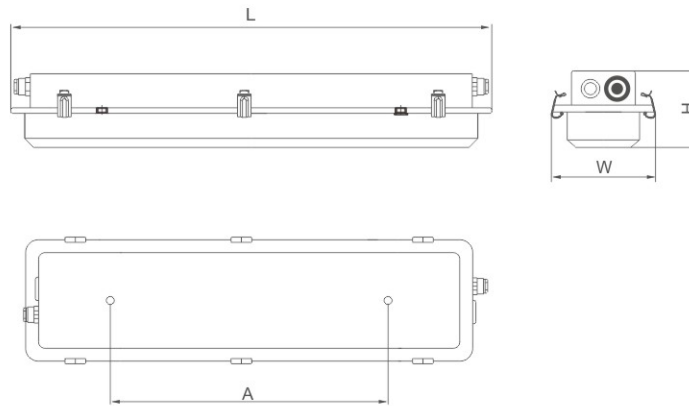
Weatherproof Light Fittings  
防水防尘防腐灯具系列

### ◆ 产品规格/Product specifications

型号规格 Model Specifications	灯管功率 Lamp tube power	光通量(灯管) Luminous flux (Lamp tube)	壳体类型 Enclosure type	灯具重量 Weight of light fitting
HRFY-G-2 × 18□	2 × 18W / T8	2600lm	I	4.6kg
HRFY-G-2 × 36□	2 × 36W / T8	6500lm	II	6.3kg

型号规格 Model Specifications	灯管功率 Lamp tube power	光通量(灯管) Luminous flux (Lamp tube)		壳体类型 Enclosure type	灯具重量 Weight of light fitting
		LED灯管 LED Lamp tube	LED灯具 LED Luminaire		
HRFY-G-LED 2 × 9□	2 × 9W / LED	2160lm	≥ 1800lm	I	4.5kg
HRFY-G-LED 2 × 18□	2 × 18W / LED	4320lm	> 3800lm	II	6.2kg

### ◆ 外形尺寸/Outline dimension (mm)



壳体类型/Enclosure type	L	A	H	W
I	692	430	120	150
II	1300	950	120	150

### ◆ 订货须知/Ordering Information

- ◇ 注明执行标准、工作电压、环境温度；
- ◇ 按照产品型号规格说明逐条选择，例如：需要双管36W吸顶式安装，则产品选型为HRFY-G-2 × 36 x ；
- ◇ 供货LED灯具时，出厂配置LED光源；其他灯具出厂时不配光源，由用户自配，建议配置飞利浦、欧司朗品牌；
- ◇ 如需加装应急装置时请注明( 应急时只有单只灯管工作)；
- ◇ 常规配置为电缆布线，如需钢管布线请注明。
- ◇ Specify the executive standard, working voltage, environment temperature.
- ◇ Follow the product catalogue number logic for selection. For example:  
36W fluorescent lamps with two tubes, ceiling type, the product type shall be HRFY-G-2x 36 x.
- ◇ LED light fittings are supplied with LED lamp. Other light fittings are supplied without light source. Philips, Osram Brand is recommended.
- ◇ If the emergency device is required, please specify when ordering. (Only one lamp tube works for emergency).
- ◇ Generally, cable wiring is provided, please specify if steel pipe wiring is needed.

# HRFY-G 系列防水防尘防腐不锈钢荧光灯

## Series Weatherproof Stainless Steel Light Fittings for Fluorescent Lamp



Waterproof



Dustproof



Corrosionproof

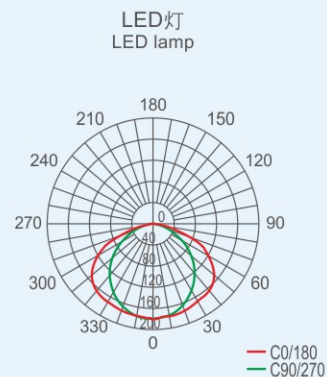
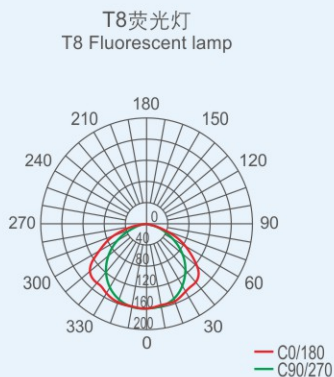
Weatherproof Light Fittings  
防水防尘防腐灯具系列

### 技术参数/Technical Parameters

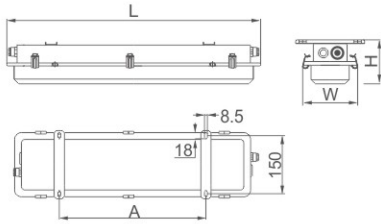


执行标准 / Executive standards	国际IEC标准 / 欧盟EN标准 / 北美标准 International IEC standards / European EN standards / American standards
额定电压 / Rated voltage	220V~240V AC 50Hz / 60Hz 100V~277V AC 50Hz / 60Hz (可选/Optional)
环境温度 / Ambient temperature	-40℃~+55℃ (-60℃~+60℃ 可选/Optional)
防护等级 / Degree of protection	IP66
引入装置 / Cable gland	M20 × 1.5引入规格, 适合Φ6mm~Φ10mm电缆 M20 × 1.5 entry specification, suitable for cable of Φ6mm~Φ10mm
接线端子 / Terminal	≤ 2.5mm <sup>2</sup> 导线可靠连接(≤ 4mm <sup>2</sup> 可选) ≤ 2.5mm <sup>2</sup> reliable wire connection (≤ 4mm <sup>2</sup> is optional)
安装方式 / Mounting	吸顶式(x)、吊杆式(g)、吊链式(L)、法兰式2(f2)、护栏式(h)、弯杆式(w)、壁式(b) Ceiling type (x), pendant pole type (g), pendant chain type (L), flange type 2 (f2), fence type (h), bend pole type (w), wall type (b)

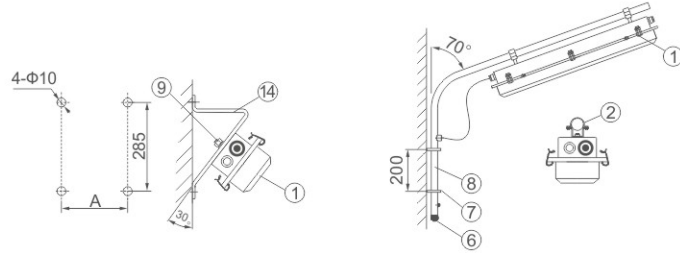
配光曲线 / Luminous intensity distribution  
cd/1000lm



◆ 外形及安装举例/Outline and mounting type

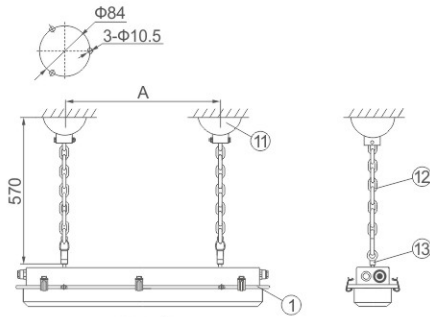


吸顶式/Ceiling type(x)

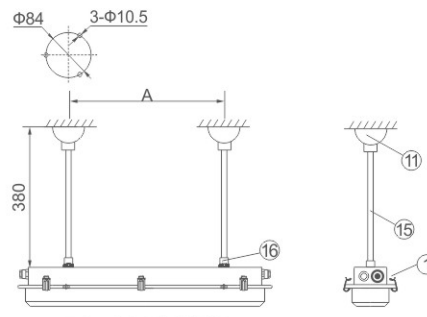


壁式/Wall type(b)

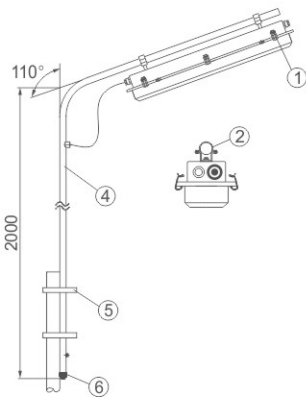
弯杆式/Bend pole type(w)



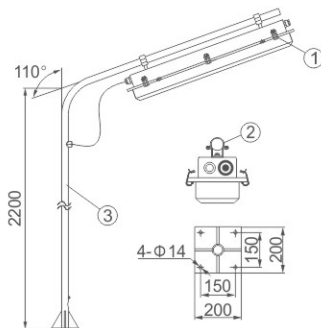
吊链式  
Pendant chain type(L)



吊杆式(g)(侧进线)  
Pendant pole type (g)(side entry)



护栏式/Fence type(h)



法兰式2/Flange type(f2)

序号 No.	名称 Name	备注 Remark
1	HRFY-G防水防尘防腐不锈钢灯 HRFY-G Weatherproof Stainless Steel Light Fittings	
2	弯杆 G1 1/4" (G1 1/2" 可选) Bend pole G1 1/4" (G1 1/2" optional)	
3	法兰杆 G1 1/4" (G1 1/2" 可选) Flange rod G1 1/4" (G1 1/2" optional)	
4	护栏杆 G1 1/4" (G1 1/2" 可选) Fence pole G1 1/4" (G1 1/2" optional)	
5	U型管夹 U type pipe clamps	用户自备 supplied by user
6	三防密封接头 FQM-I - G 3/4" Weatherproof cable gland FQM-I- G3/4"	
7	固定架 Fixed bracket	
8	弯杆 G1 1/4" (G1 1/2" 可选) Bend pole G1 1/4" (G1 1/2" optional)	
9	螺栓 M8 Screw M8	
10	安装架 Mounting frame	
11	吸盘 Sucker	
12	链条 Chain	450mm
13	吊环螺钉 M8 × 12 M8X12 Eyebolt	
14	三角安装架 Triangle mounting frame	
15	直杆 G 3/4" Straight pole G3/4"	300mm
16	联轴器 Couplings	