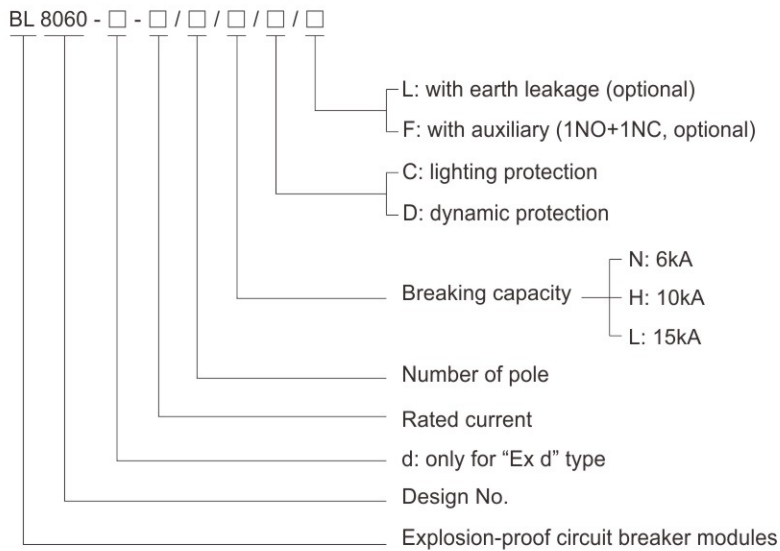


Components for Distribution Boxes BL8060 Series Explosion-proof Circuit Breaker Modules



- ◆ Explosion protection to
 - CENELEC
 - IEC
 - NEC
- ◆ Can be used in
 - Zone 1 and Zone 2
 - Class I, Zone 1 and Zone 2
 - Class I, Division 2, Groups A, B, C, D
- ◆ Product of flame-proof structure; the cavity is of engineering plastic embedded with high strength metal frame structure; with strong corrosion-proof capacity and reliable performance.
- ◆ Built-in Schneider iC65 series MCB, special operation mechanism internally designed, reliable overall operation.

Catalogue number logic



Zones 1&2

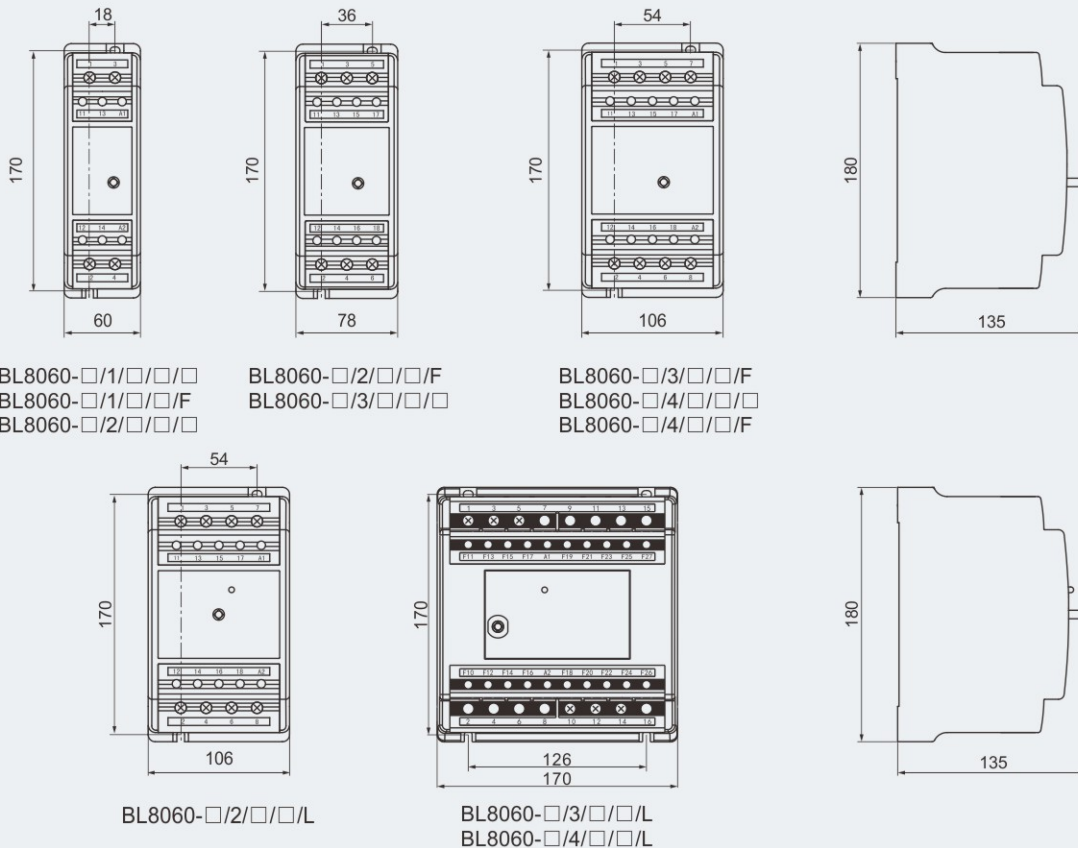
Components for Distribution Boxes BL8060 Series Explosion-proof Circuit Breaker Modules

Technical data

Explosion-proof circuit breaker modules BL8060 - □ / □ / □ / □ / □ (≤ 63A)

Explosion protection	IECEX CQM 14.0031U					
Global (IECEX)	Ex d e IIC Gb					
Gas	EUT 14 ATEX 1301U					
Europe (ATEX)	⊕ II 2 G Ex d e IIC Gb					
Gas	IECEX; ATEX					
Certificates	EN 60079-0, EN 60079-1, EN 60079-7					
Conformity to standards	IEC 60079-0, IEC 60079-1, IEC 60079-7					
Enclosure material	GRP (glass fibre-reinforced polyester resin)					
Rated voltage	Max.690V AC					
Rated current	1A, 2A, 4A, 6A, 10A, 16A, 20A, 25A, 32A, 40A, 50A, 63A					
Rated residual operating current	30mA, 300mA, 300mA [Ⓢ] Ⓢ:Under-voltage tripping(instant)					
Rated residual current characteristics	AC, A					
Mechanical life	20000 times					
Auxiliary contact	1NO+1NC (indicating contact in OFF state)					
Number of pole	1P, 2P, 3P, 4P, 1PL, 2PL					
Ambient temperature	-20℃~+70℃					
Breaking capacity	Ph.-Ph. (2P, 3P, 4P)	12~133V	220~240V	380~415V	440V	Use breaking capacity
	Ph.-N (1P, 1P+N)	12~60V	100~133V	220~240V	-	
	Rated current	1~4A	6kA、10kA、15kA			100%Icu
	6~63A				75%Icu	

Dimension drawings (all dimensions in mm) - subject to alteration



Components for Distribution Boxes BL8060 Series Explosion-proof Circuit Breaker Modules

Technical data

Explosion-proof circuit breaker modules BL8060-d - □ / □ / □ / □ / □

Explosion protection

Global (IECEX)	IECEX CQM 15.0016U
Gas	Ex db IIC Gb
Europe (ATEX)	EPT 15 ATEX 2252U
Gas	⊕ II 2 G Ex db IIC Gb

Certificates

IECEX; ATEX

Conformity to standards

EN 60079-0, EN 60079-1
IEC 60079-0, IEC 60079-1

Enclosure material

Copper-free Aluminium Alloy, powder coated surface

Rated voltage

Max.690V AC

Rated current

Max.160A

Rated residual operating current

30mA, 300mA, 300mA[Ⓢ] Ⓢ: Under-voltage tripping(instant)

Rated residual current characteristics

AC, A

Mechanical life

20000 times

Auxiliary contact

1NO+1NC(Indicating contact in OFF state)

Number of pole

1P, 2P, 3P, 4P
1PL, 2PL, 3PL, 4PL (≤ 63A)

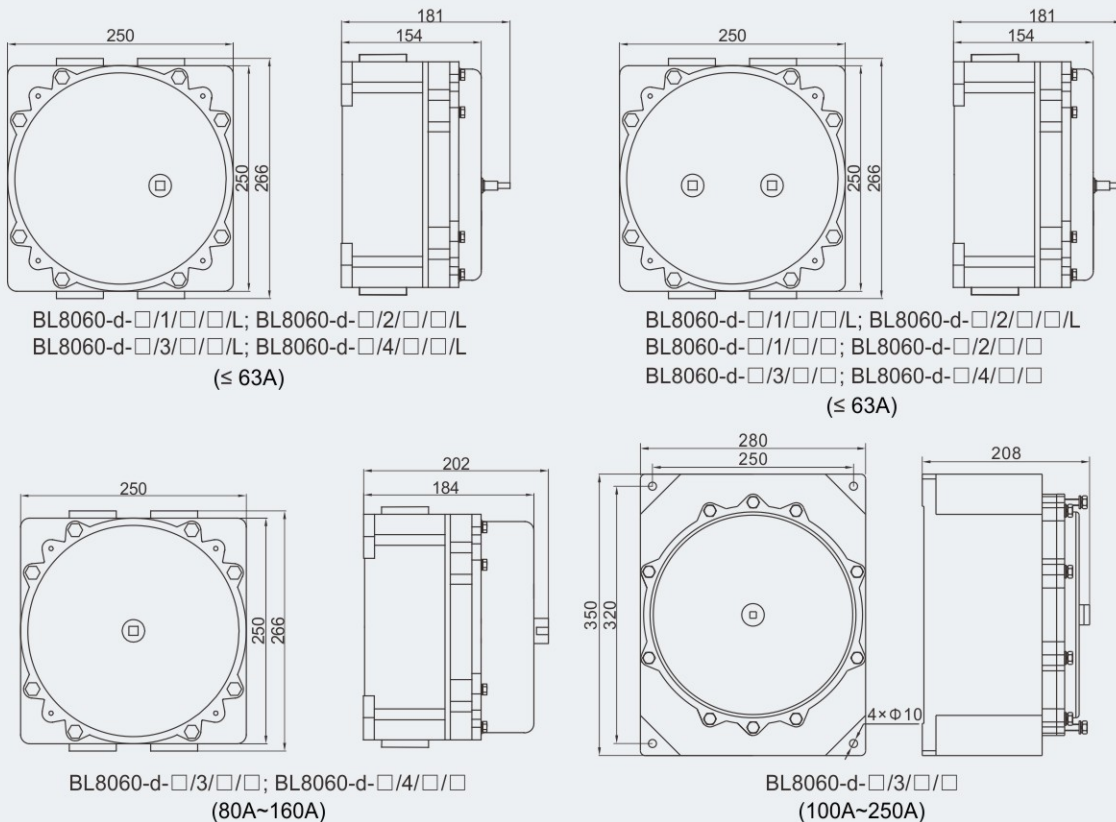
Ambient temperature

-20°C~+70°C

Breaking capacity

		Ph.-Ph. (3P, 4P)	220~230V	380~415V	440V	500V	690V	Use breaking capacity
Rated current	63A	20kA	10kA	6kA	-	-	-	75%Icu
	80~160A	36kA						100%Icu
	100~250A	-			50kA		-	-

Dimension drawings (all dimensions in mm) - subject to alteration



Components for Distribution Boxes BL8060 Series Explosion-proof Circuit Breaker Modules

Selection table

Version	Rated voltage (V)	Rated current (A)	Rated residual operating current (mA)	Auxiliary contact	Schematic diagram
BL8060-d-□/3/□/□/□	230/440/690	63, 80, 100, 125, 160	/	/	
BL8060-d-□/3/□/□/□/□/□	230/440/690		/	Indicating contact in OF state	
BL8060-d-□/3/□/□/□/□/□/□	230/440/690	63	30	/	
			300	/	
			300 Ⓢ	/	
BL8060-d-□/4/□/□/□/□	230/440/690	63, 80, 100, 125, 160	/	/	
BL8060-d-□/4/□/□/□/□/□	230/440/690		/	Indicating contact in OF state	
BL8060-d-□/4/□/□/□/□/□/□	230/440/690	63	30	/	
			300	/	
			300 Ⓢ	/	

