

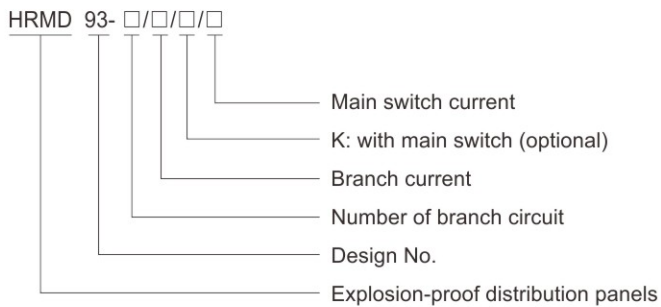
Distribution Boxes

HRMD93 Series Explosion-proof Distribution Panels



- ◆ Explosion protection to
 - CENELEC
 - IEC
 - NEC
- ◆ Can be used in
 - Zone 1 and Zone 2
 - Zone 21 and Zone 22
 - Class I, Zone 1 and Zone 2
 - Class I, Division 2, Groups A, B, C, D
- ◆ Enclosure for modular combination (Ex d & Ex e).
- ◆ Main switch and branch switch are operated with external rotary actuator.
- ◆ Internal wiring to the terminal is finished.
- ◆ International brand of explosion-proof terminal blocks.
- ◆ Copper-free Aluminium Alloy, powder coated surface.
- ◆ Entries plugged. Cable glands on request (see P7/17~29).
- ◆ Special requirements on request.

■ Catalogue number logic



Zones 1 & 2; 21 & 22

Distribution Boxes

HRMD93 Series Explosion-proof Distribution Panels

Technical data

Explosion-proof distribution panels HRMD93-□/□/□/□

Explosion protection

Global (IECEX)

Gas and dust

IECEX (applied for)

Ex db IIB+H₂ T6 Gb

Ex db eb IIB T6 Gb

Ex db [ib] IIB+H₂ T6 Gb

Ex db eb [ib] IIB T6 Gb

Ex tb IIIC T80°C Db IP66

Europe (ATEX)

ATEX (applied for)

Gas and dust

⊕ II 2 G Ex db IIB+H₂ T6 Gb

⊕ II 2 G Ex db eb IIB+H₂ T6 Gb

⊕ II 2 G Ex db [ib] IIB+H₂ T6 Gb

⊕ II 2 G Ex db [ib] eb IIB+H₂ T6 Gb

⊕ II 2 D Ex tb IIIC T80°C Db IP66

Certificates

IECEX; ATEX

Conformity to standards

EN 60079-0, EN 60079-1, EN 60079-7, EN 60079-11, EN 60079-31

IEC 60079-0, IEC 60079-1, IEC 60079-7, IEC 60079-11, IEC 60079-31

General power supply

Rated voltage: max. 690V AC 50/60Hz; Rated current: max. 630A

Branch current

1A, 2A, 4A, 6A, 10A, 16A, 20A, 25A, 32A, 40A, 50A, 63A

80A, 100A, 125A, 160A, 200A, 250A, 320A, 400A

Exposed fastener

Stainless steel

Enclosure material

Copper-free Aluminium Alloy, powder coated surface

Enclosure colour

Window grey (RAL7040)

Built-in components

Main switch

MCB (miniature circuit breaker) or MCCB (moulded case circuit breaker)

Note: earth leakage protection on request

Branch switch

MCB (miniature circuit breaker) or MCCB (moulded case circuit breaker)

Note: earth leakage protection on request

Terminal

International brand of terminal blocks

Indicator

Red, green, yellow

Degree of protection

IP66

Internal&external earthing

M6/M8, M8/M8

Ambient temperature

-60°C~+60°C

Cable entries

Standard M□ x 1.5 plug (see the Selection table on P6/40)

Cable gland (optional)

DQM-I (Ex e) is recommended. Please see P7/17~19

DQM-II (Ex d) or DQM-III (Ex d) is recommended. Please see P7/20~29

Entry direction

Bottom

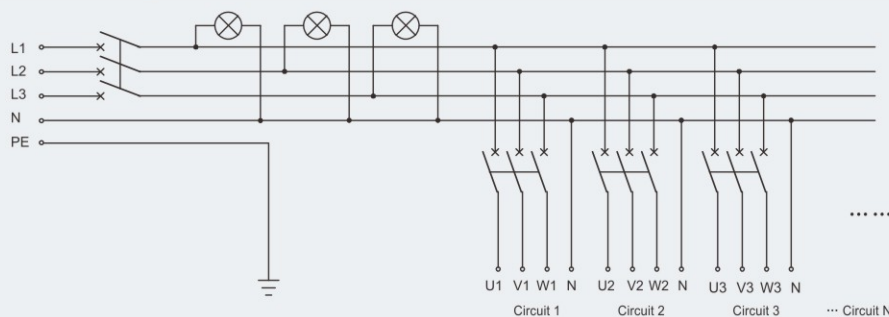
Mounting

Surface type (standard)

Pedestal type (optional)



Electrical schematic diagram



Distribution Boxes

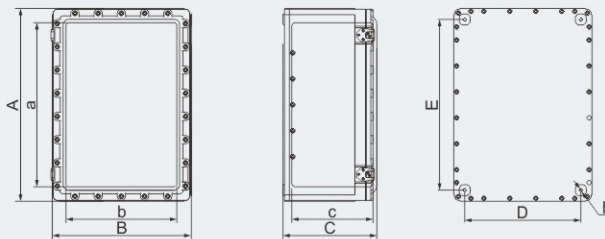
HRMD93 Series Explosion-proof Distribution Panels

Selection table of HRMD93 series explosion-proof distribution panels

Version	Description					Cable entries
	Main switch	Number of branch circuit	Branch switch	Branch current	Number of indicator	
HRMD93-10/K	MCB or MCCB Current: max. 630A	10	MCB or MCCB 3P	1A, 2A 4A, 6A	11	1 x M50(M63, M75, M90) x 1.5 + 10 x M25(M32, M40, M50, M63) x 1.5
HRMD93-26/K		26		10A, 16A 20A, 25A 32A, 40A 50A, 63A	27	1 x M50(M63, M75, M90) x 1.5 + 26 x M25(M32, M40, M50, M63) x 1.5
HRMD93-32/K		32		80A, 100A 125A, 160A 200A, 250A 320A, 400A On request	33	1 x M50(M63, M75, M90) x 1.5 + 32 x M25(M32, M40, M50, M63) x 1.5
HRMD93-42/K		42		43	1 x M50(M63, M75, M90) x 1.5 + 42 x M25(M32, M40, M50, M63) x 1.5	
HRMD93-16	—	16	MCB or MCCB 3P	1A, 2A 4A, 6A	16	1 x M50(M63, M75, M90) x 1.5 + 16 x M25(M32, M40, M50, M63) x 1.5
HRMD93-26		26		10A, 16A 20A, 25A 32A, 40A 50A, 63A	26	1 x M50(M63, M75, M90) x 1.5 + 26 x M25(M32, M40, M50, M63) x 1.5
HRMD93-32		32		80A, 100A 125A, 160A 200A, 250A 320A, 400A On request	32	1 x M50(M63, M75, M90) x 1.5 + 32 x M25(M32, M40, M50, M63) x 1.5
HRMD93-48		48		48	1 x M50(M63, M75, M90) x 1.5 + 48 x M25(M32, M40, M50, M63) x 1.5	



Dimension drawings (all dimensions in mm) - subject to alteration



Version	External dimension			Internal dimension			Mounting dimension		
	A	B	C	a	b	c	D	E	F
I	250	200	215	175	125	173	125	175	M10
II	350	250	290	280	180	236	175	175	M10
III	500	350	298	420	270	233	275	425	M12
IV	700	500	343	610	410	278	425	625	M12

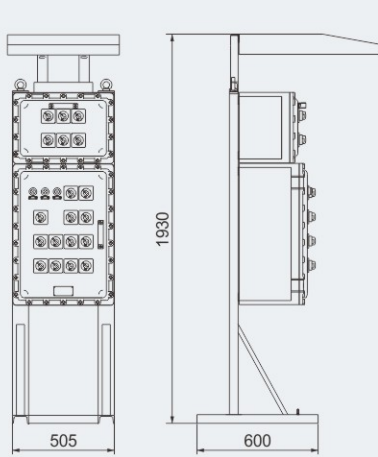
Note

1. Please specify the number and size of cable entries and sides of the enclosure to be fitted.
2. Electrical schematic diagram shall be provided by user. Photo switch, AC contactor, thermal relay or others on request.
3. Please specify mounting type when ordering.
4. Rainproof canopy on request.

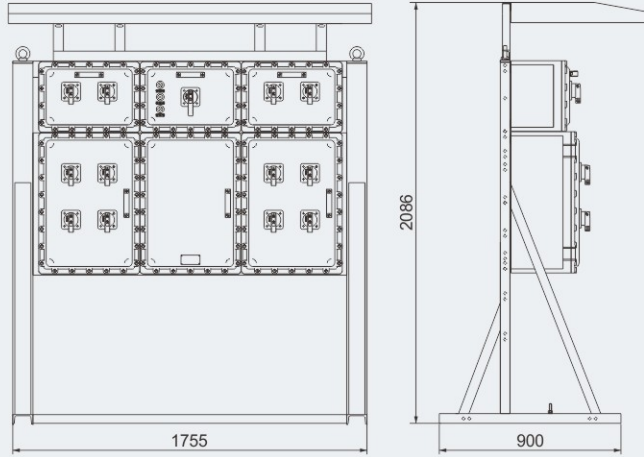
Distribution Boxes
HRMD93 Series Explosion-proof Distribution Panels

Dimension drawings (all dimensions in mm) - subject to alteration

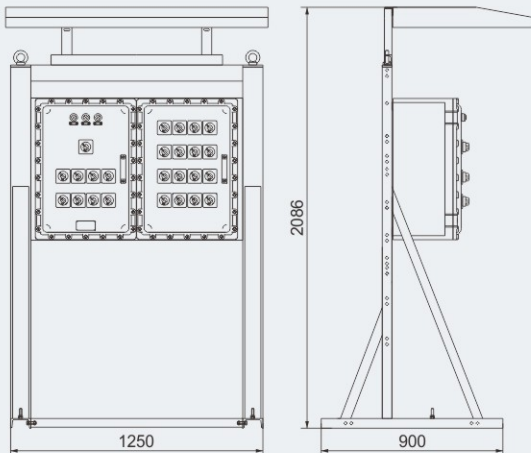
From 2B



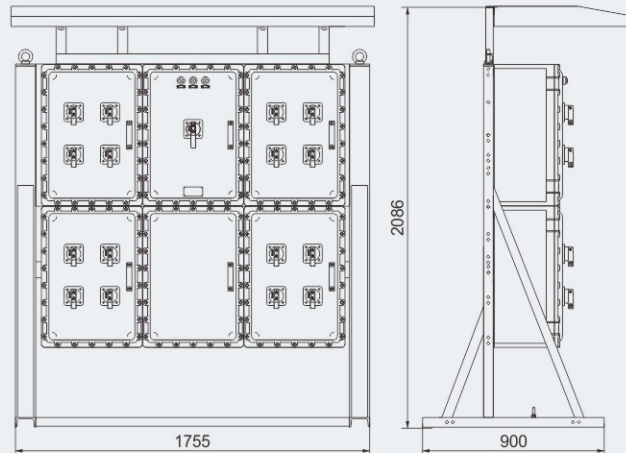
HRMD93-18/K



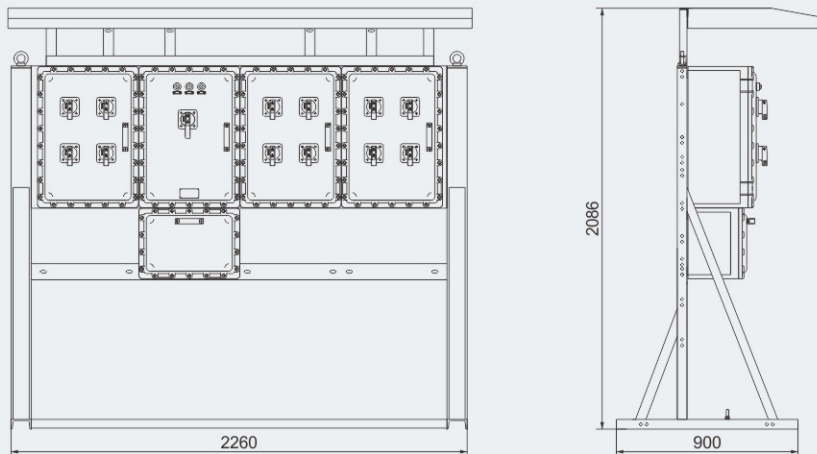
HRMD93-12/K



HRMD93-24/K



HRMD93-16/K



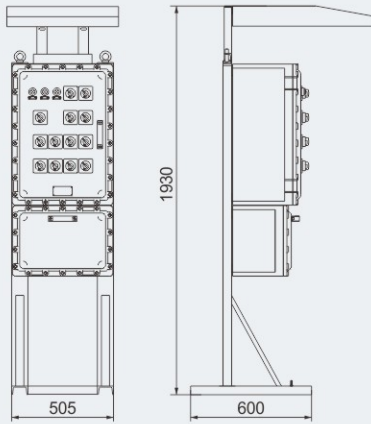
HRMD93-12/K



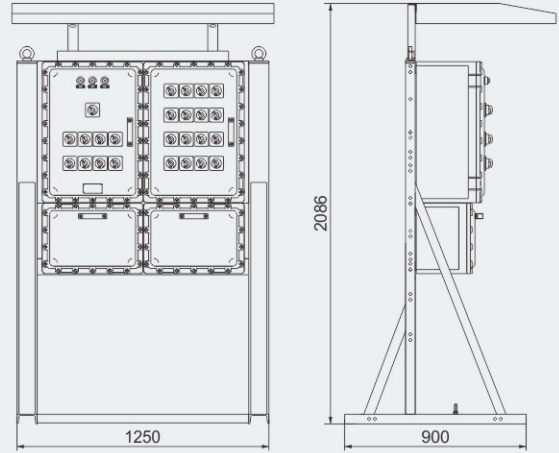
Distribution Boxes HRMD93 Series Explosion-proof Distribution Panels

Dimension drawings (all dimensions in mm) - subject to alteration

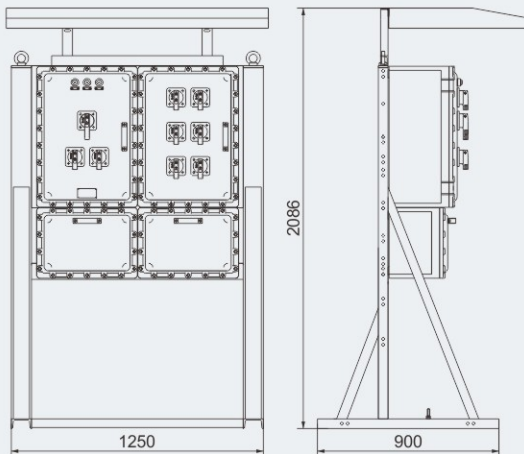
From 4B



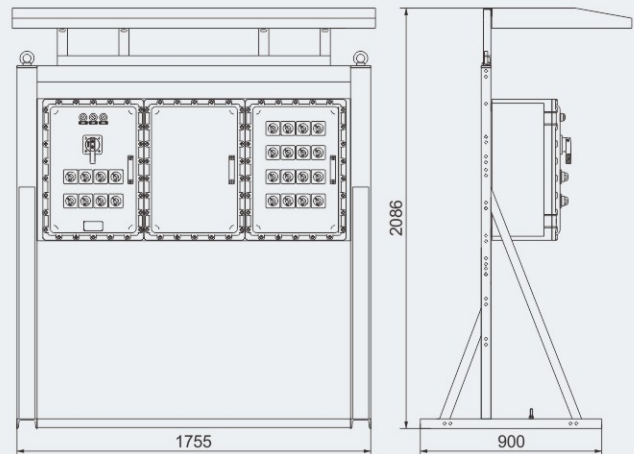
HRMD93-12/K



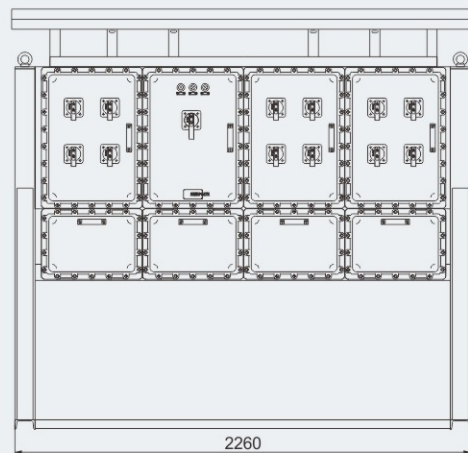
HRMD93-24/K



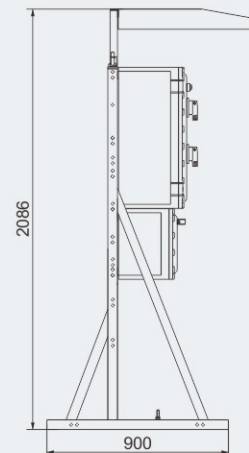
HRMD93-8/K



HRMD93-24/K



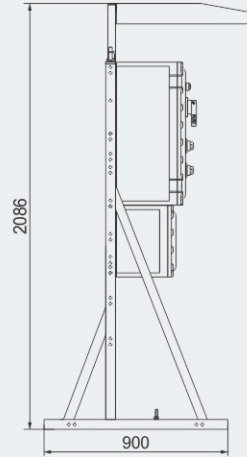
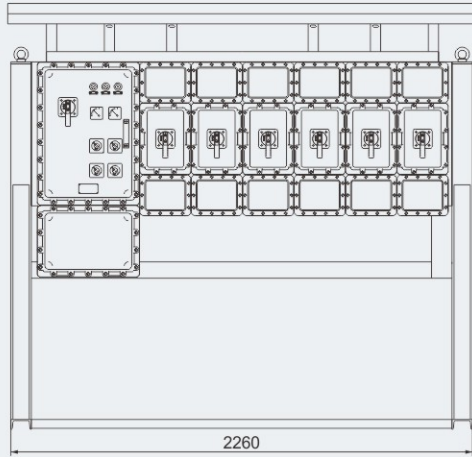
HRMD93-12/K



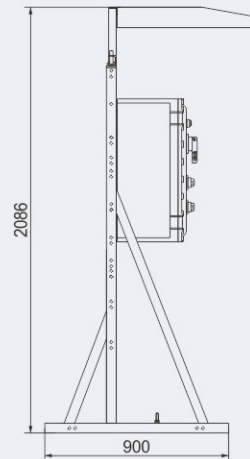
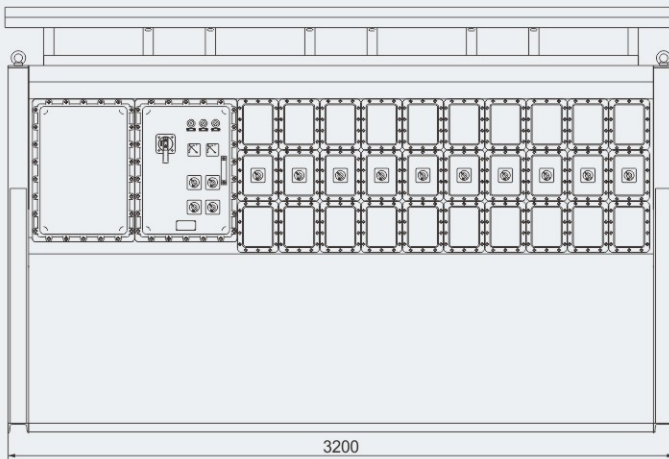
Distribution Boxes
HRMD93 Series Explosion-proof Distribution Panels

Dimension drawings (all dimensions in mm) - subject to alteration

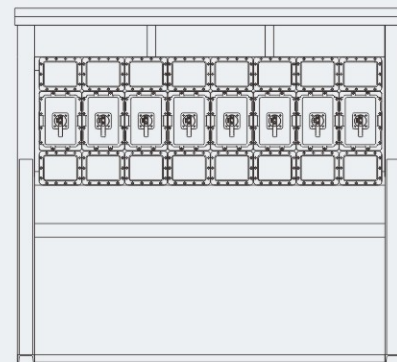
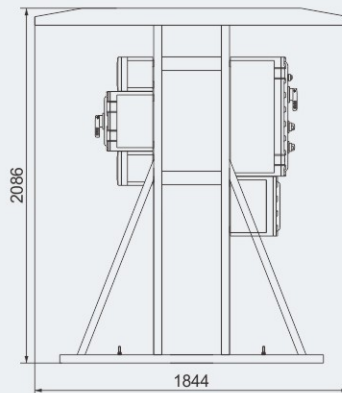
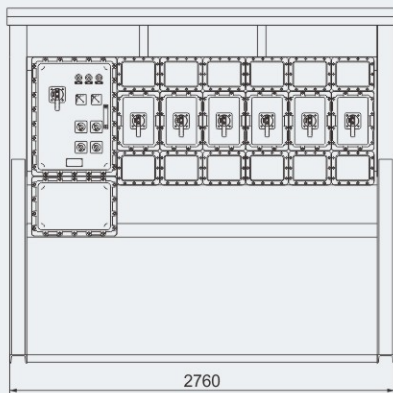
Independent type



HRMD93-10/K



HRMD93-14/K



HRMD93-14/K (both sides plan)

