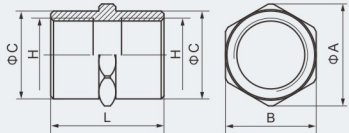
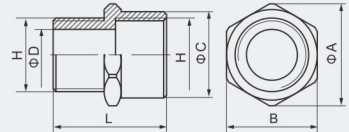
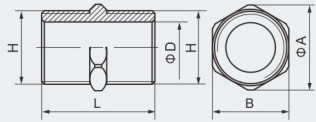


Accessories for Installation

BGJ Series Explosion-proof Connectors

Selection table

Version	Female thread "H"			Dimensions (mm)					Ordering code	Weight (kg)
	Metric	NPT	G	A	B	C	D	L		
 BGJ-I□□(F)/□□(F)	M20	1/2"	1/2"	30	27	25		34	703001	0.10
	M25	3/4"	3/4"	35	32	31		34	703002	0.10
	M32	1"	1"	42	38	37		44	703003	0.15
	M40	1 1/4"	1 1/4"	54	49	46		44	703004	0.25
	M50	1 1/2"	1 1/2"	60	55	54		44	703005	0.25
	M63	2"	2"	72	68	67		46	703006	0.35
	M75	2 1/2"	2 1/2"	88	83	81		46	703007	0.50
	M90	3"	3"	105	100	98		46	703008	0.65
	M115	4"	4"	130	125	123		46	703009	1.00
 BGJ-I□□(M)/□□(F)	M20	1/2"	1/2"	30	27	25	15	36	703010	0.10
	M25	3/4"	3/4"	35	32	31	18	36	703011	0.10
	M32	1"	1"	42	38	37	25	44	703012	0.15
	M40	1 1/4"	1 1/4"	54	49	46	32	44	703013	0.20
	M50	1 1/2"	1 1/2"	60	55	54	38	44	703014	0.25
	M63	2"	2"	72	68	67	50	46	703015	0.35
	M75	2 1/2"	2 1/2"	88	83	81	65	46	703016	0.50
	M90	3"	3"	105	100	98	75	46	703017	0.65
	M115	4"	4"	130	125	123	100	46	703018	1.00
 BGJ-I□□(M)/□□(M)	M20	1/2"	1/2"	30	27		15	36	703019	0.05
	M25	3/4"	3/4"	35	32		18	36	703020	0.10
	M32	1"	1"	42	38		25	46	703021	0.15
	M40	1 1/4"	1 1/4"	50	46		32	46	703022	0.25
	M50	1 1/2"	1 1/2"	60	55		38	46	703023	0.25
	M63	2"	2"	72	68		50	46	703024	0.35
	M75	2 1/2"	2 1/2"	88	83		65	46	703025	0.50
	M90	3"	3"	100	95		75	46	703026	0.65
	M115	4"	4"	127	122		100	46	703027	1.00



Note: 1. Standard material is galvanized carbon steel. Nickel plated brass or stainless steel is optional.

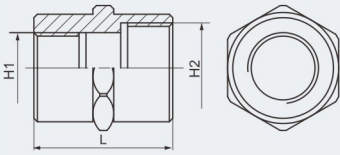
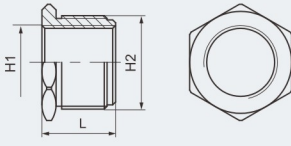
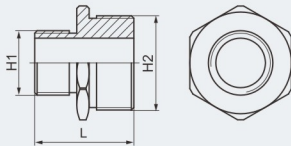
Above weight is based upon galvanized carbon steel.

2. Metric threads are 1.5mm pitch as standard, others thread pitch can be customized, please specify when ordering.

Accessories for Installation

BGJ Series Explosion-proof Connectors

Selection table

Version	Female thread "H1"			Female thread "H2"			Dimensions (mm) L	Ordering code	Weight (kg)
	Metric	NPT	G	Metric	NPT	G			
 BGJ-II□□(F)/□□(F)	M20	1/2"	1/2"	M25	3/4"	3/4"	34	703028	0.10
	M25	3/4"	3/4"	M32	1"	1"	34	703029	0.15
	M32	1"	1"	M40	1 1/4"	1 1/4"	44	703030	0.25
	M40	1 1/4"	1 1/4"	M50	1 1/2"	1 1/2"	44	703031	0.30
	M50	1 1/2"	1 1/2"	M63	2"	2"	44	703032	0.35
	M63	2"	2"	M75	2 1/2"	2 1/2"	46	703033	0.50
	M75	2 1/2"	2 1/2"	M90	3"	3"	46	703034	0.65
	M90	3"	3"	M115	4"	4"	46	703035	1.00
 BGJ-II□□(M)/□□(F)	M20	1/2"	1/2"	M25	3/4"	3/4"	21	703036	0.05
	M25	3/4"	3/4"	M32	1"	1"	25	703037	0.10
	M32	1"	1"	M40	1 1/4"	1 1/4"	25	703038	0.25
	M40	1 1/4"	1 1/4"	M50	1 1/2"	1 1/2"	25	703039	0.45
	M50	1 1/2"	1 1/2"	M63	2"	2"	25	703040	0.60
	M63	2"	2"	M75	2 1/2"	2 1/2"	25	703041	0.75
	M75	2 1/2"	2 1/2"	M90	3"	3"	25	703042	0.90
	M90	3"	3"	M115	4"	4"	25	703043	1.20
 BGJ-II□□(M)/□□(M)	M20	1/2"	1/2"	M25	3/4"	3/4"	36	703044	0.10
	M25	3/4"	3/4"	M32	1"	1"	36	703045	0.15
	M32	1"	1"	M40	1 1/4"	1 1/4"	46	703046	0.25
	M40	1 1/4"	1 1/4"	M50	1 1/2"	1 1/2"	46	703047	0.25
	M50	1 1/2"	1 1/2"	M63	2"	2"	46	703048	0.35
	M63	2"	2"	M75	2 1/2"	2 1/2"	46	703049	0.50
	M75	2 1/2"	2 1/2"	M90	3"	3"	46	703050	0.65
	M90	3"	3"	M115	4"	4"	46	703051	1.00

Note: 1. Standard material is galvanized carbon steel. Nickel plated brass or stainless steel is optional.

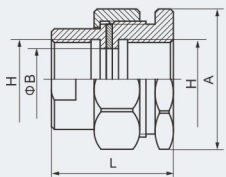
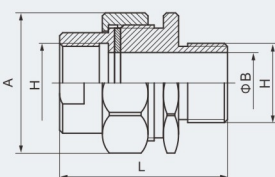
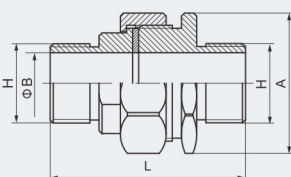
Above weight is based upon galvanized carbon steel.

2. Metric threads are 1.5mm pitch as standard, others thread pitch can be customized, please specify when ordering.

Accessories for Installation

BGJ Series Explosion-proof Connectors

Selection table

Version	Female thread "H"			Dimensions (mm)			Ordering code	Weight (kg)
	Metric	NPT	G	A	B	L		
 BGJ- III□□(F)/□□(F)	M20	1/2"	1/2"	37	15	40	703052	0.15
	M25	3/4"	3/4"	42	20	40	703053	0.25
	M32	1"	1"	48	25	46	703054	0.35
	M40	1 1/4"	1 1/4"	65	32	46	703055	0.50
	M50	1 1/2"	1 1/2"	70	38	46	703056	0.50
	M63	2"	2"	85	50	52	703057	0.85
	M75	2 1/2"	2 1/2"	108	65	52	703058	1.25
	M90	3"	3"	115	76	57	703059	1.70
	M115	4"	4"	145	100	57	703060	2.20
 BGJ- III□□(M)/□□(F)	M20	1/2"	1/2"	37	15	55	703061	0.20
	M25	3/4"	3/4"	42	20	55	703062	0.30
	M32	1"	1"	48	25	64	703063	0.45
	M40	1 1/4"	1 1/4"	65	32	64	703064	0.60
	M50	1 1/2"	1 1/2"	70	38	64	703065	0.65
	M63	2"	2"	85	50	73	703066	1.05
	M75	2 1/2"	2 1/2"	110	102	73	703067	1.45
	M90	3"	3"	115	110	81	703068	1.55
	M115	4"	4"	145	140	81	703069	2.00
 BGJ- III□□(M)/□□(M)	M20	1/2"	1/2"	37	15	64	703070	0.20
	M25	3/4"	3/4"	42	20	64	703071	0.30
	M32	1"	1"	48	25	74	703072	0.45
	M40	1 1/4"	1 1/4"	65	32	74	703073	0.70
	M50	1 1/2"	1 1/2"	70	38	74	703074	0.75
	M63	2"	2"	85	50	84	703075	1.20
	M75	2 1/2"	2 1/2"	110	102	84	703076	1.60
	M90	3"	3"	115	110	94	703077	2.05
	M115	4"	4"	145	140	94	703078	2.55



Note: 1. Standard material is galvanized carbon steel. Nickel plated brass or stainless steel is optional.
Above weight is based upon galvanized carbon steel.

2. Metric threads are 1.5mm pitch as standard, others thread pitch can be customized, please specify when ordering.