

DZ81-DZS100-4P

Single Phase Energy Meter

Features & Functions

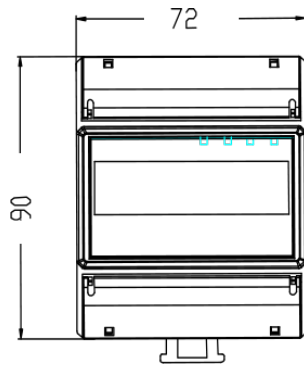
- Measuring single phase current, voltage, active power, reactive power, apparent power, power factor, frequency, active energy, reactive energy
- Available for querying past 12 months' energy
- SOE event records, saving last 10 times of recording moments
- 1* RS485, Modbus RTU and DL/T 645-1997/2007 protocol
- 1*energy pulse output
- LCD display



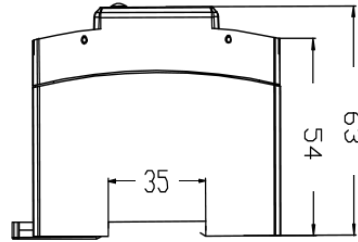
Technical Parameters

Technical Parameters-DZS100-4P		
Accuracy Class		1
Input	Rated Value	Voltage: 220V Current: 1.5(6)A, 5(40)A; 10(80)A (direct connected)
	Overload	Voltage: Sustained Overload: 1.2 times of the rated value Momentary Overload: 2 times of the rated value Current: Sustained Overload: 1.2 times of the rated value Momentary Overload: 10 times of the rated value
	Frequency	45-60Hz
Functional Module	Pulse Output	6400 imp/kWh, 1600 imp/kWh, 800 imp/kWh
	Interface	1*RS485; Modbus RTU or DL/T645 adaptive protocol; Baud rate: 1200-19200bps
Power Supply	Working Range	AC: 85-265V; DC: 85-300V
	Consumption	< 2W, 10VA
Working Condition	Temperature	Operating: -20°C~+50°C Storage: -40°C~+70°C
	Humidity	Relative Humidity: ≤85% (place without corrosive gas)
	Altitude	≤ 4000m
Dimensions		90×72×63mm
Installation		Standard Din rail installation

Dimensions

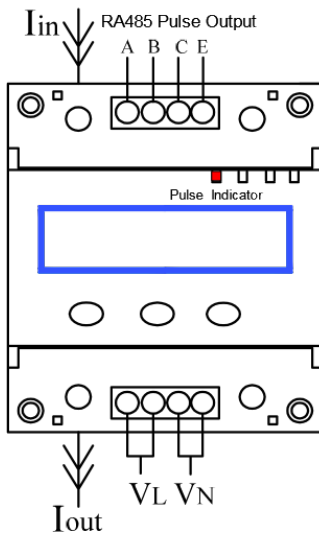


Front View

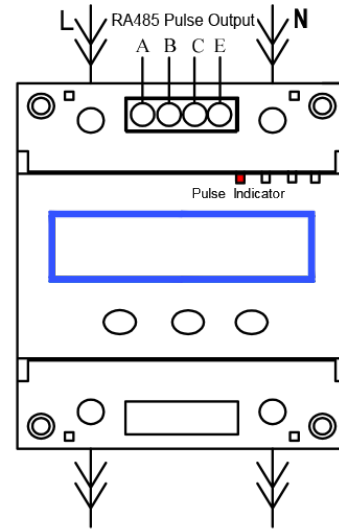


Side View

Wiring Diagram



1.5(6)A CT Connected Wiring



5(40)A; 10(80)A Direct Connected Wiring