

Data transmission terminal

Model No. IOT-N2T-11A

Product Introduction

The IOT-N2T-11A data transmission module is developed to realize data transmission over the network between serial ports and web server. Designed with B5-band NB-IoT, it can realize bidirectional transparent data communication, and suitable for applications in wireless meter reading, smart city, agriculture and environment, and other M2M fields.

Features & Functions

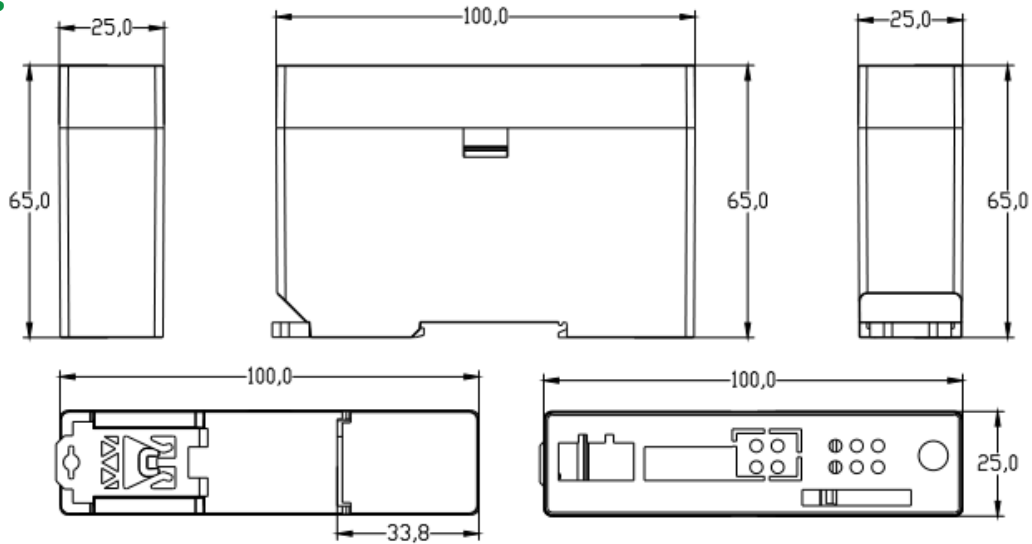
- Single frequency band: H-FDD B5, universal;
- The module can automatically search for frequency bands;
- Support GSM/UMTS/LTE networks;
- Support basic instruction set and extended instruction set;
- Class III Electro-Static discharge (ESD);



Technical Parameters

IOT-N2S-11A				
Wireless Parameters	Wireless Standard	GSM/UMTS/LTE		
	Standard Frequency Band	B5		
	Transmit Power	23dBm±2dB		
	Frequency Range	824-960MHz		
Hardware System	Microcontroller	Minimum	Typical	Maximum
	Frequency XTAL	Standard SMA Interface		
Interface Types	Communication Interface	3.3VTTL Electrical Level		
	Power Interface	4.8V	5V	5.2V
	Antenna Interface	3V		
	SIM Card Interface			0.4V
	Indicator Lamp	0A		0.25A
Electrical Characteristics	Power Supply(Optional)	0A		0.3A
	Power Consumption	100bps< Bit Rate < 100kbps (TBD)		
Other Prameters	Working Temperature	Supports 3GPP Rel.13 NB-IoT		
	Relative Humidity	Air interfaces and Protocols [1]		
	Dimensions	Integrated radio transceiver, protocol processor and stack supporting BPSK and QPSK for OFDM downlink,BPSK and QPSK for SC-FDMA uplink		

Dimensions



About Us

Heyuan Intelligence Technology Co.,Ltd. is one of the state-level hi-tech enterprises. It is located in the CIIC (China International ICT Innovation Cluster). Heyuan has been focusing on electric power industry for almost 20 years and achieved more than 20 patents, copyrights and other intellectual property rights. With 'Innovation, Quality and Service' as its core value, Heyuan is a pioneering leader in R&D, manufacture, sales and service of industrial electronic products and solutions.

Heyuan has successfully supplied millions of customers with **intelligent power meters, intelligent power distribution system, electric energy management solution, electric fire monitoring system, to integrated railway automation solution, to oil-gas drilling monitoring system.**



Intelligent Power Meters



Intelligent Power Distribution System



Electric Energy Management Solution



Electric Fire Monitoring System



Integrated Railway Automation Solution



oil-gas drilling monitoring system