

Data transmission terminal

Model No. IOT-N2S-11A

Product Introduction

IOT-N2S-11A is designed with technical-grade high-performance 32-bit communication processor and wireless module. Equipped with 1-channel RS485 serial ports, it supports various communication protocols, like Modbus, TCPModbus, DLT645-97/07, MQTT etc., and transparent data transmission.

It is widely applied in M2M fields, such as smart grids, intelligent transportation, smart homes, industrial automation, intelligent buildings, firefighting monitoring.

Features & Functions

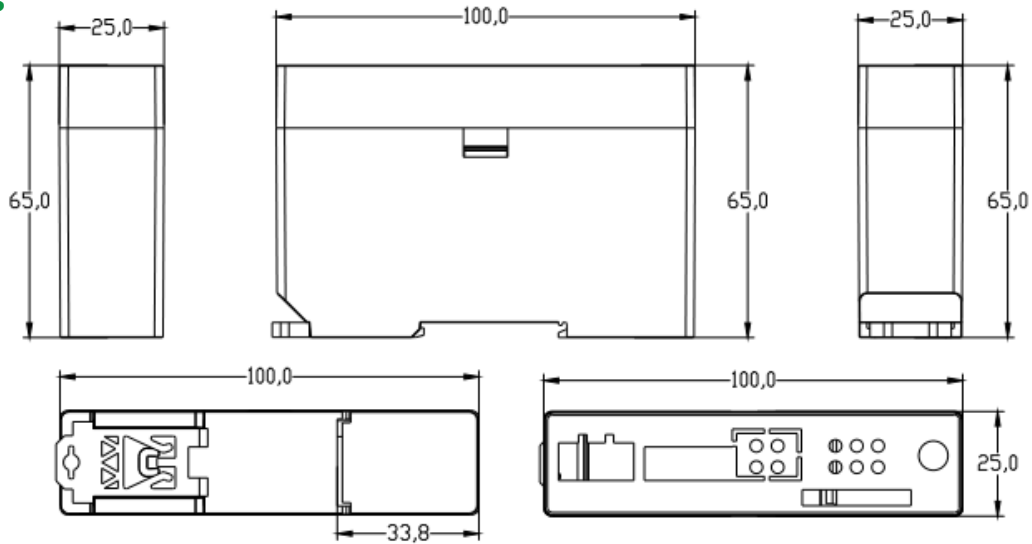
- Featured high-speed micro-controllers with excellent ability of data processing
- Flexible communication configuration;
- Supports various communication protocols: Modbus TCPModbus, DLT645-97/07, MQTT etc.;
- Built-in rich communication protocol library
- Wide coverage and low power consumption



Technical Parameters

IOT-N2S-11A		
Wireless Parameters	Wireless Standard	GSM/UMTS/LTE
	Standard Frequency Band	B5
	Frequency Range	824-960MHz
	Transmitted Power	23dBm±2dB
Hardware System	Microcontroller	STM32F072C8T6
	Frequency XTAL	8MHz
Interface Types	Communication Interface	1*RS485; 1*NB-IoT
	Power Interface	Terminal interface, Power Protection
	Antenna Interface	Standard SMA interface, Characteristic impedance 50 Ω
	SIM Card Interface	Standard (U)SIM card holder with internal ESD protection
	Indicator Lamp	Power/Net indicator;TXD/RXD indicator
Electrical Characteristics	Power Supply(Optional)	AC85~265V/DC5~32V
	Power Consumption	<1W
Other Parameters	Working Temperature	-40 C ~85 C
	Relative Humidity	95% (non-condensing)
	Dimensions	100 x 65 x 25(mm)

Dimensions



About Us

Heyuan Intelligence Technology Co.,Ltd. is one of the state-level hi-tech enterprises. It is located in the CIIC (China International ICT Innovation Cluster). Heyuan has been focusing on electric power industry for almost 20 years and achieved more than 20 patents, copyrights and other intellectual property rights. With 'Innovation, Quality and Service' as its core value, Heyuan is a pioneering leader in R&D, manufacture, sales and service of industrial electronic products and solutions.

Heyuan has successfully supplied millions of customers with **intelligent power meters, intelligent power distribution system, electric energy management solution, electric fire monitoring system, to integrated railway automation solution, to oil-gas drilling monitoring system.**



Intelligent Power Meters



Intelligent Power Distribution System



Electric Energy Management Solution



Electric Fire Monitoring System



Integrated Railway Automation Solution



oil-gas drilling monitoring system